



200

Browning[®]

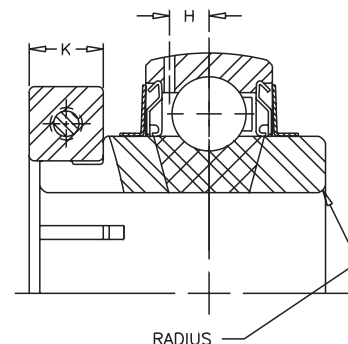
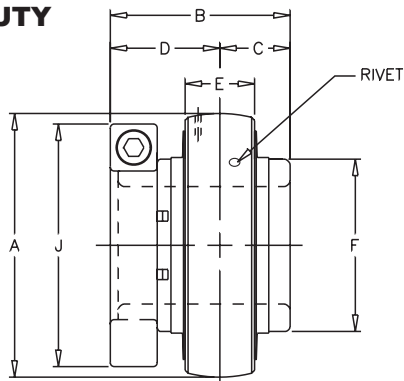
BOA CONCENTRIC

VB-200

Lock: BOA Concentric
Seal: Contact
Temperature: -20°F to 200°F
Ratings: Page 63

V VALUE & QUALITY
B BOA

2 200
0 NORMAL
0 DUTY



SHAFT DIA. IN.	BRG. NO.	Dimensions in Inches										TORX CAP SCREW	UNIT WT.
		A	B	C	D	E	F	G	H	J	RADIUS		
3/4	VB-212	47MM 1.8504	1 9/32	1/2	25/32	19/32	1 3/16	3/8	9/64	1 3/4	.040	8-32 X 5/8	.5
7/8	VB-214	52MM 2.0472	1 7/16	9/16	7/8	19/32	1 3/8	3/8	11/64	1 15/16	.040	8-32 X 5/8	.8
15/16	VB-215												
1	VB-216	62MM 2.4406	1 9/16	5/8	15/16	45/64	1 19/32	3/8	7/32	2 3/16	.040	8-32 X 5/8	1.1
1 1/8	VB-218	72MM 2.8343	1 3/4	11/16	1 1/16	3/4	1 55/64	7/16	1/4	2 7/16	.040	10-24 X 3/4	1.5
1 3/16	VB-219												
1 1/4	VB-220S												
1 1/4	VB-220	80MM 3.1493	2	3/4	1 1/4	7/8	2 1/16	7/16	19/64	2 11/16	.062	10-24 X 3/4	1.8
1 3/8	VB-222												
1 7/16	VB-223												
1 1/2	VB-224	85MM 3.3461	2	3/4	1 1/4	7/8	2 19/64	7/16	19/64	2 13/16	.062	10-24 X 3/4	1.9
1 5/8	VB-226												
1 11/16	VB-227												
1 3/4	VB-228	90MM 3.5429	2 3/32	3/4	1 11/32	29/32	2 15/32	9/16	17/64	3 3/8	.062	1/4-20 X 1	2.4
1 15/16	VB-231												
2	VB-232S												
2	VB-232	100MM 3.9366	2 1/4	7/8	1 3/8	63/64	2 23/32	9/16	19/64	3 1/2	.080	1/4-20 X 1	2.9
2 3/16	VB-235												
2 1/4	VB-236	110MM 4.3303	2 5/8	1	1 5/8	1 1/16	2 63/64	11/16	21/64	4 1/16	.080	5/16 -18 X 1	4.3
2 7/16	VB-239												

CROSS REFERENCE TO COMPETITORS PRODUCTS

For insert interchange information, contact EPT Mounted Bearing Technical Support.
See page 260 for contact information.

