

300

Browning[®]

BOA CONCENTRIC

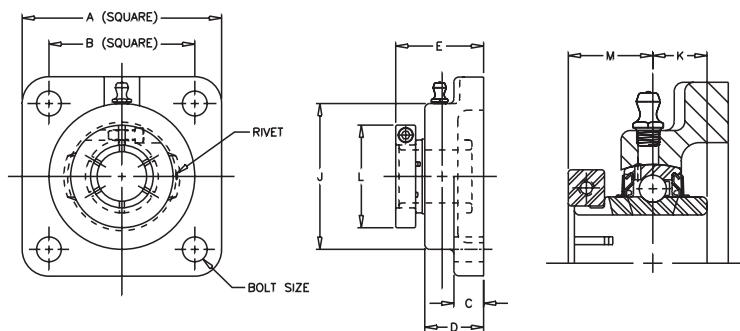
VF4B-300

Lock: BOA Concentric
Seal: Contact
Housing: Cast Iron
Temperature: -20°F to 200°F
Self Alignment: ±1.5°
Inserts: VB-300
 Dimensions pg 68
 Ratings pg 69

V VALUE & QUALITY
F FLANGE
4 FOUR BOLT
B BOA

3 300
0 MEDIUM
0 DUTY

Bore Size	Fitting
1"	1/4" - 28NF
1 3/16" - 2 3/16"	1/8" NPT



SHAFT DIA. IN.	UNIT NO.	BRG. NO.	Dimensions In Inches									BOLT SIZE IN.	UNIT WT.
			A	B	C	D	E	J	K	L	M		
1	VF4B-316	VB-316	4 1/4	3 1/4	17/32	1 5/64	1 5/8	3 1/8	5/8	2 1/16	15/16	7/16	3.0
1 3/16	VF4B-319	VB-319	4 5/8	3 5/8	19/32	1 5/32	1 13/16	3 5/8	11/16	2 7/16	1 1/16	1/2	3.0
1 1/4	VF4B-320	VB-220	4 5/8	3 5/8	19/32	1 5/32	1 13/16	3 5/8	11/16	2 7/16	1 1/16	1/2	3.0
1 7/16	VF4B-323	VB-323	5 1/8	4	5/8	1 19/64	2 5/64	4 1/8	3/4	2 11/16	1 1/4	1/2	5.1
1 1/2	VF4B-324	VB-324	5 3/8	4 1/8	5/8	1 21/64	2 7/64	4 3/8	3/4	2 13/16	1 1/4	9/16	5.1
1 11/16	VF4B-327	VB-327	5 5/8	4 3/8	5/8	1 23/64	2 7/32	4 9/16	3/4	3 1/4	1 11/32	9/16	5.9
1 3/4	VF4B-328	VB-328	5 5/8	4 3/8	5/8	1 23/64	2 7/32	4 9/16	3/4	3 1/4	1 11/32	9/16	5.9
1 15/16	VF4B-331	VB-331	6 3/8	5 1/8	13/16	1 33/64	2 3/8	5 1/4	7/8	3 1/2	1 3/8	5/8	8.2
2	VF4B-332	VB-232	6 3/8	5 1/8	13/16	1 33/64	2 3/8	5 1/4	7/8	3 1/2	1 3/8	5/8	8.2
2 3/16	VF4B-335	VB-335	6 7/8	5 5/8	13/16	1 11/16	2 3/4	5 7/16	1	4 1/16	1 5/8	5/8	10.2

CROSS REFERENCE TO COMPETITORS PRODUCTS

REPLACES DODGE F4B-DLM	REPLACES MB KFC4-55/35		

Refer to Interchange Section Page 166 for more detail.

