



300

Browning[®]

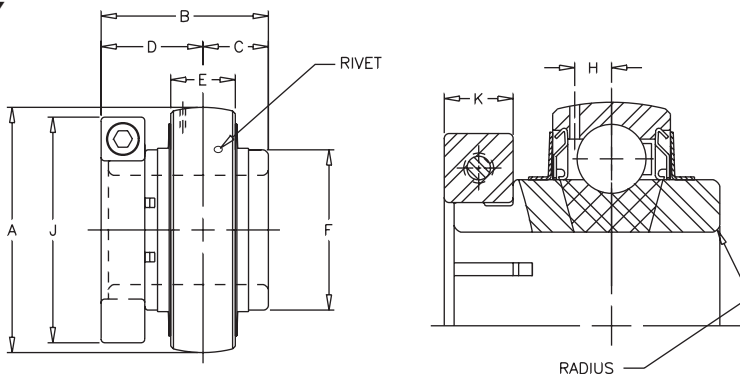
BOA CONCENTRIC

VB-300

Lock: BOA Concentric
Seal: Contact
Temperature: -20°F to 200°F
Ratings: Page 69

V VALUE & QUALITY
B BOA

3 300
0 MEDIUM
0 DUTY



SHAFT DIA. IN.	BRG. NO.	Dimensions in Inches										TORX CAP SCREW	UNIT WT.
		A	B	C	D	E	F	H	J	K	RADIUS		
1	VB-316	62MM 2.4409	1 9/16	5/8	15/16	45/64	1 19/32	13/64	2 1/16	3/8	.040	8-32 X 5/8	1.1
1 3/16	VB-319	72MM 2.8346	1 3/4	11/16	1 1/16	3/4	1 55/64	15/64	2 7/16	7/16	.040	10-24 X 3/4	1.7
1 7/16	VB-323	80MM 3.1496	2	3/4	1 1/4	55/64	2 1/16	17/64	2 11/16	7/16	.062	10-24 X 3/4	2.1
1 1/2	VB-324	85MM 3.3465	2	3/4	1 1/4	55/64	2 19/64	17/64	2 13/16	7/16	.062	10-24 X 3/4	2.4
1 11/16	VB-327	90MM 3.5433	2 3/32	3/4	1 11/32	29/32	2 15/32	9/32	3 1/4	9/16	.062	1/4-20 X 1	2.8
1 3/4	VB-328												
1 15/16	VB-331	100MM 3.9370	2 1/4	7/8	1 3/8	63/64	2 23/32	5/16	3 1/2	9/16	.080	1/4-20 X 1	3.4
2 3/16	VB-335	110MM 4.3307	2 5/8	1	1 5/8	1 1/16	2 63/64	11/32	4 1/16	11/16	.080	5-/16-18 x 1	4.7

CROSS REFERENCE TO COMPETITORS PRODUCTS

For insert interchange information, contact EPT Mounted Bearing Technical Support.
See page 260 for contact information.

