



Ball Bearings

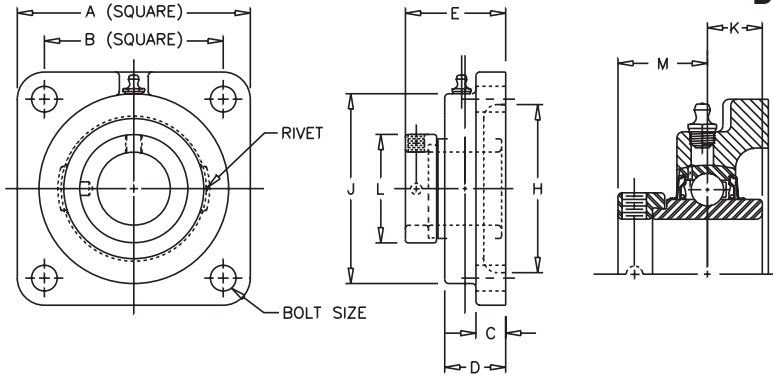
VALUE & QUALITY V
FLANGE F
FOUR BOLT 4
ECCENTRIC E

200 2
NORMAL 0
DUTY 0

VF4E-200

Lock: Eccentric
Seal: Contact
Housing: Cast Iron
Temperature: -20°F to 20°F
Self Alignment: ±1.5°
Inserts: VE-200
 Dimensions pg 78
 Ratings pg 79

Bore Size	Fitting
1/2" - 1 1/4" S	1/4" - 28NF
1 1/4" - 2 15/16"	1/8" NPT



SHAFT DIA. IN	UNIT NO.	BRG. NO.	Dimensions in Inches											BOLT SIZE IN.	UNIT WT.
			A	B	C	D	E	G	H CORED	J	K	L	M		
1/2	VF4E-208	VE-208	3	2 1/8	1/2	7/8	1 33/64	41/64	1 3/4	2 1/8	35/64	1 3/16	59/64	3/8	1.2
5/8	VF4E-210	VE-210	3	2 1/8	1/2	7/8	1 33/64	41/64	1 3/4	2 1/8	35/64	1 3/16	59/64	3/8	1.2
3/4	VF4E-212	VE-212	3 3/8	2 1/2	1/2	1 5/64	1 51/64	23/32	2	2 1/2	43/64	1 5/16	1 3/64	3/8	1.5
7/8	VF4E-214	VE-214	3 3/4	2 3/4	9/16	1 7/64	1 27/32	47/64	2 1/2	2 3/4	11/16	1 1/2	1 1/16	7/16	2.0
15/16	VF4E-215	VE-215	3 3/4	2 3/4	9/16	1 7/64	1 27/32	47/64	2 1/2	2 3/4	11/16	1 1/2	1 1/16	7/16	2.0
1	VF4E-216	VE-216	3 3/4	2 3/4	9/16	1 7/64	1 27/32	47/64	2 1/2	2 3/4	11/16	1 1/2	1 1/16	7/16	2.0
1 1/8	VF4E-218	VE-218	4 1/4	3 1/4	5/8	1 13/64	2	51/64	2 7/8	3 1/8	23/32	1 3/4	1 3/16	7/16	3.0
1 3/16	VF4E-219	VE-219	4 1/4	3 1/4	5/8	1 13/64	2	51/64	2 7/8	3 1/8	23/32	1 3/4	1 3/16	7/16	3.0
1 1/4	VF4E-220S	VE-220S	4 1/4	3 1/4	5/8	1 13/64	2	51/64	2 7/8	3 1/8	23/32	1 3/4	1 3/16	7/16	3.0
1 1/4	VF4E-220	VE-220	4 5/8	3 5/8	21/32	1 1/4	2 1/8	7/8	3 1/4	3 5/8	3/4	2 3/16	1 9/32	1/2	3.8
1 3/8	VF4E-222	VE-222	4 5/8	3 5/8	21/32	1 1/4	2 1/8	7/8	3 1/4	3 5/8	3/4	2 3/16	1 9/32	1/2	3.8
1 7/16	VF4E-223	VE-223	4 5/8	3 5/8	21/32	1 1/4	2 1/8	7/8	3 1/4	3 5/8	3/4	2 3/16	1 9/32	1/2	3.8
1 1/2	VF4E-224	VE-224	5 1/8	4	11/16	1 13/32	2 5/16	29/32	3 1/2	4 1/8	27/32	2 3/8	1 3/8	1/2	5.1
1 5/8	VF4E-226	VE-226	5 3/8	4 1/8	11/16	1 13/32	2 5/16	29/32	3 7/8	4 3/8	27/32	2 1/2	1 3/8	9/16	5.4
1 11/16	VF4E-227	VE-227	5 3/8	4 1/8	11/16	1 13/32	2 5/16	29/32	3 7/8	4 3/8	27/32	2 1/2	1 3/8	9/16	5.4
1 3/4	VF4E-228	VE-228	5 3/8	4 1/8	11/16	1 13/32	2 5/16	29/32	3 7/8	4 3/8	27/32	2 1/2	1 3/8	9/16	5.4
1 15/16	VF4E-231	VE-231	5 5/8	4 3/8	23/32	1 39/64	2 5/8	1 1/64	4	4 9/16	31/32	2 3/4	1 1/2	9/16	5.9
2	VF4E-232	VE-232	6 3/8	5 1/8	25/32	1 49/64	2 31/32	1 13/64	4 1/4	5 1/4	1 3/32	3	1 23/32	5/8	8.2
2 3/16	VF4E-235	VE-235	6 3/8	5 1/8	25/32	1 49/64	2 31/32	1 13/64	4 1/4	5 1/4	1 3/32	3	1 23/32	5/8	8.2
2 1/4	VF4E-236	VE-236	6 7/8	5 5/8	13/16	1 31/32	3 1/4	1 9/32	4 7/8	5 7/16	1 7/32	3 3/8	1 27/32	5/8	9.9
2 7/16	VF4E-239	VE-239	6 7/8	5 5/8	13/16	1 31/32	3 1/4	1 9/32	4 7/8	5 7/16	1 7/32	3 3/8	1 27/32	5/8	9.9
2 11/16	VF4E-243	VE-243	7 3/8	5 7/8	13/16	2 3/64	3 1/2	1 29/64	5 1/8	6 1/8	1 11/32	3 13/16	2 1/32	5/8	17.0
2 15/16	VF4E-247	VE-247	7 3/4	6	1	2 15/64	3 25/32	1 35/64	5 3/4	6 1/2	1 15/32	4	2 5/32	3/4	19.5

CROSS REFERENCE TO COMPETITORS PRODUCTS

REPLACES DODGE F4B-SXR		REPLACES SKF FY-WM	REPLACES NTN UELF2 or UEFLFU2
REPLACES FAFNIR RCJ	REPLACES LINK-BELT F3Y 200N	REPLACES HUB CITY FB 230HW*	

Refer to Interchange Section Page 166 for more detail.
 *-Malleable Casting

See page 156 for trademark acknowledgments.