

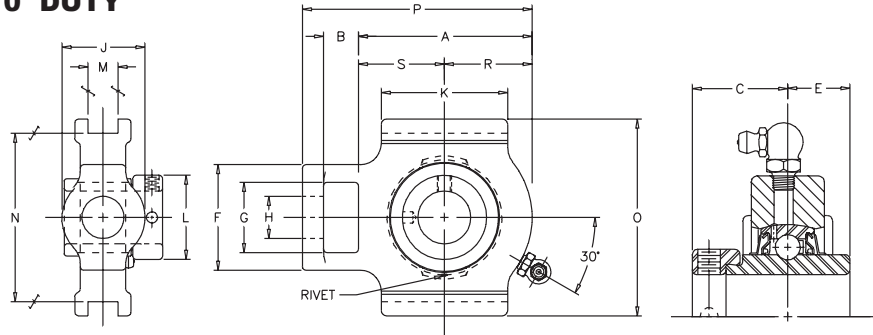
VTWE-200

V VALUE & QUALITY
T TAKE-UP
W WIDE SLOT
E ECCENTRIC

Lock: Eccentric
Seal: Contact
Housing: Cast Iron
Temperature: -20°F to 200°F
Self Alignment: ±1.5°
Inserts: VE-200
 Dimensions pg 78
 Ratings pg 79

2 200
0 NORMAL
0 DUTY

Bore Size	Fitting
1/2" - 1 1/4" S	1/4" - 28NF
1 1/4" - 2 7/16"	1/8" NPT



SHAFT DIA. IN	UNIT NO.	BRG. NO.	Dimensions In Inches																UNIT WT
			A	B	C	E	F	G	H CORE	J HUB	K	L	M	N	O	P	R	S	
3/4	VTWE-212	VE-212	3	5/8	1 3/64	43/64	1 7/8	1 1/4	3/4	1 3/8	2 1/4	1 5/16	17/32	3	3 1/2	4	1 7/16	1 9/16	1.8
7/8	VTWE-214	VE-214																	
15/16	VTWE-215	VE-215	3 3/32	5/8	1 1/16	11/16	1 7/8	1 1/4	3/4	1 1/2	2 1/4	1 1/2	17/32	3	3 1/2	4 3/32	1 9/16	1 17/32	1.9
1	VTWE-216	VE-216																	
1 1/8	VTWE-218	VE-218	3 3/8	3/4	1 3/16	23/32	2 1/8	1 7/16	7/8	1 3/4	2 1/2	1 3/4	17/32	3 1/2	4	4 5/8	1 25/32	1 19/32	2.8
1 3/16	VTWE-219	VE-219																	
1 1/4	VTWE-220	VE-220																	
1 3/8	VTWE-222	VE-222	3 3/4	3/4	1 9/32	3/4	2 1/8	1 7/16	7/8	1 3/4	2 3/4	2 3/16	17/32	3 1/2	4	5	2	1 3/4	3.5
1 7/16	VTWE-223	VE-223																	
1 1/2	VTWE-224	VE-224	4 7/32	3/4	1 3/8	27/32	2 3/4	1 15/16	1 1/8	2 1/8	3 1/4	2 3/8	11/16	4	4 1/2	5 19/32	2 3/16	2 1/32	5.2
1 5/8	VTWE-226	VE-226																	
1 11/16	VTWE-227	VE-227	4 3/8	3/4	1 3/8	27/32	2 3/4	1 15/16	1 1/8	2 1/8	3 1/4	2 1/2	11/16	4	4 1/2	5 3/4	2 1/4	2 1/8	5.8
1 3/4	VTWE-228	VE-228																	
1 15/16	VTWE-231	VE-231	4 17/32	3/4	1 1/2	31/32	2 3/4	1 15/16	1 1/8	2 1/8	3 3/8	2 3/4	11/16	4	4 1/2	5 29/32	2 5/16	2 7/32	6.1
2	VTWE-232	VE-232																	
2 3/16	VTWE-235	VE-235	5 3/32	1	1 23/32	1 3/32	3 5/8	2 1/2	1 3/8	2 1/2	3 3/4	3	1 1/16	5 1/8	5 3/4	6 27/32	2 9/16	2 17/32	8.7
2 7/16	VTWE-239	VE-239	5 1/2	1	1 27/32	1 7/32	3 5/8	2 1/2	1 3/8	2 1/2	4	3 3/8	1 1/16	5 1/8	5 3/4	7 1/4	2 27/32	2 21/32	9.6

CROSS REFERENCE TO COMPETITORS PRODUCTS

REPLACES DODGE WSTU-SXR		REPLACES SKF TBY-WM	
REPLACES FAFNIR RTU			

Refer to Interchange Section Page 166 for more detail.