



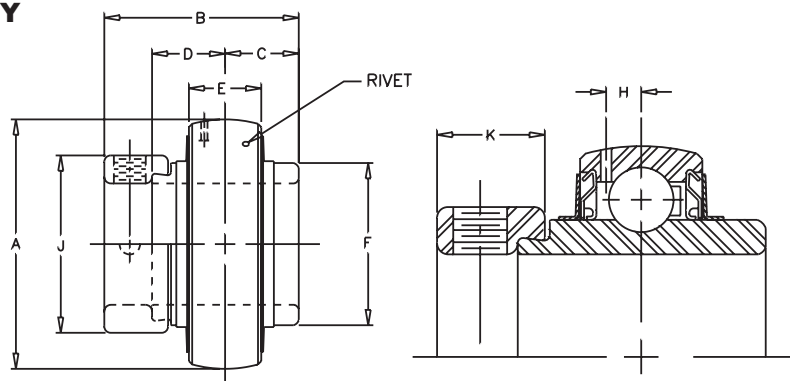
VE-200

Lock: Eccentric
 Seal: Contact
 Temperature: -20°F to 200°F
 Ratings: Page 79

V VALUE & QUALITY
E ECCENTRIC
2 200
0 NORMAL
0 DUTY

Browning®

Ball Bearings



SHAFT DIA. IN	BRG NO.	Dimensions In Inches									SET SCREW TAP	UNIT WT.
		A	B	C	D	E	F	H	J	K		
1/2	VE-208	40MM	1 15/32	35/64	35/64	33/64	31/32	9/64	1 3/16	17/32	1/4-28	.6
5/8	VE-210	1.5748										
3/4	VE-212	47MM 1.8504	1 23/32	43/64	43/64	19/32	1 3/16	5/32	1 5/16	17/32	1/4-28	.6
7/8	VE-214	52MM	1 3/4	11/16	11/16	19/32	1 3/8	5/32	1 1/2	17/32	1/4-28	.8
15/16	VE-215	2.0472										
1	VE-216											
1 1/8	VE-218	62MM	1 29/32	23/32	23/32	45/64	1 19/32	13/64	1 3/4	5/8	5/16-24	1.1
1 3/16	VE-219	2.4409										
1 1/4	VE-220S											
1 1/4	VE-220	72MM	2 1/64	3/4	3/4	3/4	1 55/64	15/64	2 3/16	11/16	3/8-24	1.4
1 3/8	VE-222	2.8346										
1 7/16	VE-223											
1 1/2	VE-224	80MM 3.1496	2 7/32	27/32	27/32	55/64	2 1/16	17/64	2 3/8	23/32	3/8-24	1.7
1 5/8	VE-226											
1 11/16	VE-227	85MM	2 7/32	27/32	27/32	55/64	2 19/64	17/64	2 1/2	23/32	3/8-24	1.8
1 3/4	VE-228	3.3465										
1 15/16	VE-231	90MM 3.5433	2 15/32	31/32	31/32	29/32	2 15/32	9/32	2 3/4	23/32	3/8-24	2.3
2	VE-232	100MM	2 13/16	1 3/32	1 3/32	63/64	2 23/32	5/16	3	13/16	7/16-20	3.0
2 3/16	VE-235	3.9370										
2 1/4	VE-236	110MM	3 1/16	1 7/32	1 7/32	1 1/16	2 63/64	11/32	3 3/8	7/8	7/16-20	4.0
2 7/16	VE-239	4.3307										
2 11/16	VE-243	125MM 4.9213	3 3/8	1 11/32	1 11/32	1 7/64	3 7/16	3/8	3 13/16	15/16	1/2-20	5.7
2 15/16	VE-247	130MM 5.1181	3 5/8	1 15/32	1 15/32	1 9/64	3 41/64	3/8	4	15/16	1/2-20	6.3

CROSS REFERENCE TO COMPETITORS PRODUCTS

For insert interchange information, contact EPT Mounted Bearing Technical Support.
 See page 260 for contact information.