



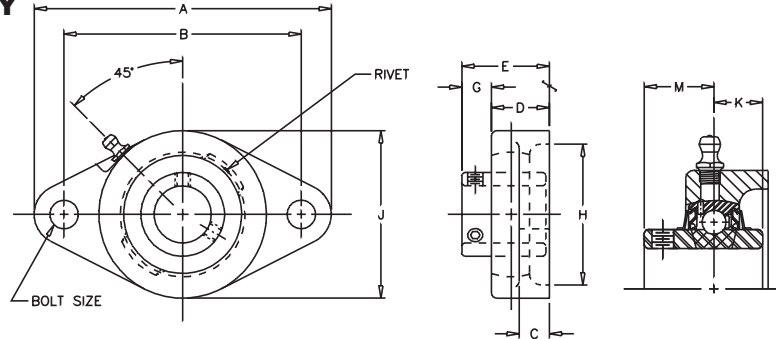
# VF2S-200

**V VALUE and QUALITY**  
**F FLANGE**  
**2 TWO BOLT**  
**S SET SCREW**

**Lock:** Set Screw  
**Seal:** Contact  
**Housing:** Cast Iron  
**Temperature:** -20°F to 200°F  
**Self Alignment:** ±1.5°  
**Inserts:** VS-200  
 Dimensions pg 18  
 Ratings pg 19

**2 200**  
**0 NORMAL**  
**0 DUTY**

Bore Size	Fitting
1/2" - 1 1/4" S	1/4" - 28NF
1 1/4" - 2 15/16"	1/8" NPT



SHAFT DIA. IN	UNIT NO.	BRG. NO.	Dimensions In Inches											BOLT SIZE IN.	UNIT WT.
			A	B	C	D	E	G	H CORED	J	K	M			
1/2	VF2S-208	VS-208	3 7/8	3	3/8	23/32	1 5/64	23/64	1 3/4	2 1/8	13/32	5/8	3/8	.9	
5/8	VF2S-210	VS-210													
3/4	VF2S-212	VS-212	4 13/32	3 17/32	7/16	57/64	1 9/32	25/64	2	2 1/2	1/2	23/32	3/8	1.0	
7/8	VF2S-214	VS-214													
15/16	VF2S-215	VS-215	4 7/8	3 57/64	1/2	61/64	1 7/16	31/64	2 5/16	2 3/4	9/16	13/16	7/16	1.1	
1	VF2S-216	VS-216													
1 1/8	VF2S-218	VS-218													
1 3/16	VF2S-219	VS-219	5 9/16	4 19/32	17/32	1 5/64	1 9/16	31/64	2 3/4	3 1/8	5/8	7/8	7/16	1.7	
1 1/4	VF2S-220S	VS-220S													
1 1/4	VF2S-220	VS-220													
1 3/8	VF2S-222	VS-222	6 1/8	5 1/8	19/32	1 5/32	1 3/4	19/32	3 3/16	3 5/8	11/16	1	1/2	2.7	
1 7/16	VF2S-223	VS-223													
1 1/2	VF2S-224	VS-224	6 3/4	5 21/32	5/8	1 19/64	2 1/64	23/32	3 1/2	4 1/8	3/4	1 3/16	1/2	3.6	
1 5/8	VF2S-226	VS-226													
1 11/16	VF2S-227	VS-227	7 1/16	5 27/32	5/8	1 21/64	2 3/64	23/32	3 3/4	4 3/8	3/4	1 3/16	9/16	3.7	
1 3/4	VF2S-228	VS-228													
1 15/16	VF2S-231	VS-231	7 7/16	6 3/16	5/8	1 23/64	2 5/32	51/64	4	4 9/16	3/4	1 9/32	9/16	4.6	
2	VF2S-232S	VS-232S													
2	VF2S-232	VS-232													
2 3/16	VF2S-235	VS-235	8 1/2	7 1/4	13/16	1 33/64	2 5/16	51/64	4 1/4	5 1/4	7/8	1 5/16	5/8	5.9	
2 1/4	VF2S-236	VS-236													
2 7/16	VF2S-239	VS-239	9 1/4	7 15/16	13/16	1 11/16	2 11/16	1	4 3/4	5 7/16	1	1 9/16	5/8	9.6	
2 11/16	VF2S-243	VS-243	10 1/8	8 5/16	13/16	1 49/64	2 7/8	1 7/64	5 1/8	6 1/8	1 1/16	1 11/16	5/8	17.0	
2 15/16	VF2S-247	VS-247	10 1/2	8 1/2	1	2 3/64	3 3/16	1 9/64	5 3/4	6 1/2	1 5/16	1 3/4	3/4	19.5	

Air Handling (AH) to order specify AH suffix, i.e. VF2S-216 AH (See page 50)

Nickel Plated (NK) to order specify NK suffix, i.e. VF2S-216 NK

## CROSS REFERENCE TO COMPETITORS PRODUCTS

REPLACES DODGE F2B-SC		REPLACES SKF FYT-TM	REPLACES NTN UCFL2
REPLACES FAFNIR YCJT/RCJTC	REPLACES LINK-BELT FX3-U200N	REPLACES HUB CITY FB260 HW*	

Refer to Interchange Section Page 166 for more detail.

\*-Malleable Casting