



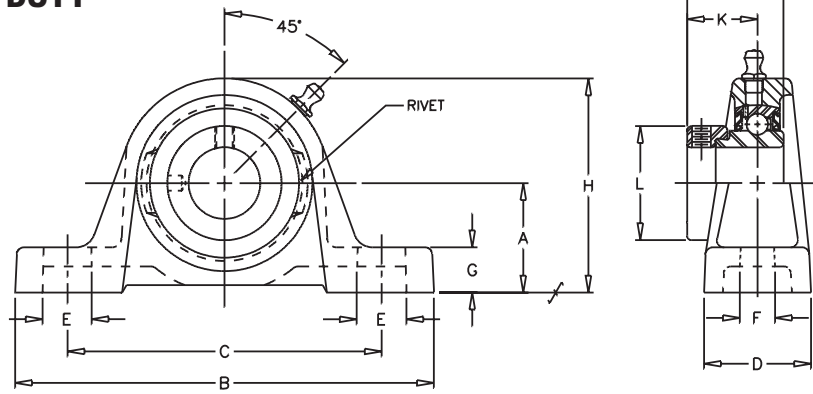
# VPE-100

**Lock:** Eccentric  
**Seal:** Contact  
**Housing:** Cast Iron  
**Temperature:** -20°F to 200°F  
**Self Alignment:** ±1.5°  
**Inserts:** VE-100  
 Dimensions pg 98  
 Ratings pg 99

Bore Size	Fitting
1/2" - 1 1/4" S	1/4" - 28NF
1 1/4" - 2 3/16"	1/8" NPT

**V VALUE & QUALITY**  
**P PILLOW BLOCK**  
**E ECCENTRIC**

**1 100**  
**0 INTERMEDIATE**  
**0 DUTY**



SHAFT DIA. IN	UNIT NO.	BRG NO.	Dimensions in Inches											BOLT SIZE IN.	UNIT WT.	
			A	B	C	D	E	F	G	H	J	K	L			
1/2	VPE-108	VE-108														
5/8	VPE-110	VE-110	1 3/16	4 7/8	3 5/8	1 7/32	7/8	7/16	15/32	2 7/32	1 3/16	7/8	1 3/16	3/8	1.0	
3/4	VPE-112	VE-112	1 5/16	5	3 25/32	1 11/32	25/32	7/16	17/32	2 17/32	1 17/64	59/64	1 5/16	3/8	1.5	
7/8	VPE-114	VE-114														
15/16	VPE-115	VE-115	1 7/16	5 1/2	4 1/8	1 13/32	13/16	7/16	19/32	2 13/16	1 17/64	59/64	1 1/2	3/8	1.8	
1	VPE-116	VE-116														
1 1/8	VPE-118	VE-118														
1 3/16	VPE-119	VE-119	1 11/16	6 3/16	4 5/8	1 3/4	15/16	9/16	21/32	3 9/32	1 27/64	1 3/64	1 3/4	1/2	2.9	
1 1/4	VPE-120S	VE-120S														
1 1/4	VPE-120	VE-120														
1 3/8	VPE-122	VE-122	1 7/8	6 3/4	5	1 3/4	7/8	9/16	23/32	3 11/16	1 37/64	1 5/32	2 3/16	1/2	3.8	
1 7/16	VPE-123	VE-123														
1 1/2	VPE-124	VE-124	2	7 1/8	5 3/8	1 15/16	1	9/16	13/16	4	1 49/64	1 9/32	2 3/8	1/2	5.0	
1 11/16	VPE-127	VE-127														
1 3/4	VPE-128	VE-128	2 1/8	7 3/8	5 21/32	2	29/32	9/16	3/4	4 1/4	1 49/64	1 9/32	2 1/2	1/2	5.7	
1 15/16	VPE-131	VE-131														
2	VPE-132S	VE-132S	2 1/4	8	6 3/16	2 3/16	15/16	11/16	3/4	4 9/16	1 25/32	1 9/32	2 3/4	5/8	6.3	
2	VPE-132	VE-132														
2 3/16	VPE-135	VE-135	2 1/2	8 13/16	6 15/16	2 5/16	1	11/16	7/8	4 31/32	1 63/64	1 7/16	3	5/8	8.1	

## CROSS REFERENCE TO COMPETITORS PRODUCTS

REPLACES DODGE P2B-SXV		REPLACES SKF SY-FM	REPLACES NTN JELP2
REPLACES FAFNIR VAS	REPLACES LINK-BELT P3-W200U	REPLACES HUB CITY PB 221	REPLACES BOSTON H

Refer to Interchange Section Page 166 for more detail.