



Ball Bearings

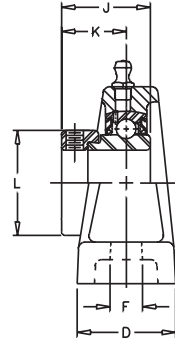
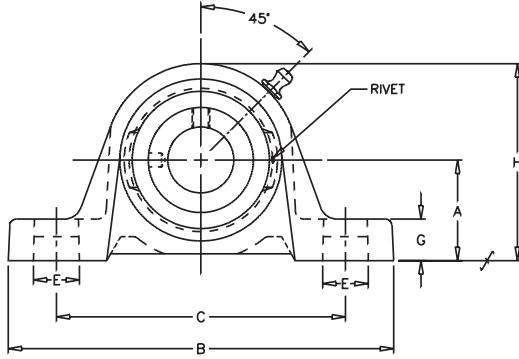
VALUE & QUALITY V
PILLOW BLOCK P
LOW BASE L
ECCENTRIC E

100 1
INTERMEDIATE 0
DUTY 0

VPLE-100

Lock: Eccentric
Seal: Contact
Housing: Cast Iron
Temperature: -20°F to 20°F
Self Alignment: ±1.5°
Inserts: VE-100
 Dimensions pg 98
 Ratings pg 99

Bore Size	Fitting
1/2" - 1 1/4" S	1/4" - 28NF
1 1/4" - 2 3/16"	1/8" NPT



SHAFT DIA. IN	UNIT NO.	BRG. NO.	Dimensions in Inches											BOLT SIZE IN.	UNIT WT.
			A	B	C	D	E	F	G	H	J	K	L		
1/2	VPLE-108	VE-108	1 1/16	4 7/8	3 5/8	1 7/32	7/8	7/16	11/32	2 3/32	1 3/16	7/8	1 3/16	3/8	.8
5/8	VPLE-110	VE-110	1 1/16	4 7/8	3 5/8	1 7/32	7/8	7/16	11/32	2 3/32	1 3/16	7/8	1 3/16	3/8	.8
3/4	VPLE-112	VE-112	1 1/4	5	3 25/32	1 11/32	25/32	7/16	15/32	2 15/32	1 17/64	59/64	1 5/16	3/8	1.4
7/8	VPLE-114	VE-114	1 5/16	5 1/2	4 1/8	1 13/32	13/16	7/16	15/32	2 11/16	1 17/64	59/64	1 1/2	3/8	1.7
15/16	VPLE-115	VE-115	1 5/16	5 1/2	4 1/8	1 13/32	13/16	7/16	15/32	2 11/16	1 17/64	59/64	1 1/2	3/8	1.7
1	VPLE-116	VE-116	1 5/16	5 1/2	4 1/8	1 13/32	13/16	7/16	15/32	2 11/16	1 17/64	59/64	1 1/2	3/8	1.7
1 1/8	VPLE-118	VE-118	1 9/16	6 3/16	4 5/8	1 3/4	15/16	9/16	17/32	3 5/32	1 27/64	1 3/64	1 3/4	1/2	2.8
1 3/16	VPLE-119	VE-119	1 9/16	6 3/16	4 5/8	1 3/4	15/16	9/16	17/32	3 5/32	1 27/64	1 3/64	1 3/4	1/2	2.8
1 1/4	VPLE-120S	VE-120S	1 9/16	6 3/16	4 5/8	1 3/4	15/16	9/16	17/32	3 5/32	1 27/64	1 3/64	1 3/4	1/2	2.8
1 1/4	VPLE-120	VE-120	1 13/16	6 3/4	5	1 3/4	7/8	9/16	21/32	3 5/8	1 37/64	1 5/32	2 3/16	1/2	3.7
1 3/8	VPLE-122	VE-122	1 13/16	6 3/4	5	1 3/4	7/8	9/16	21/32	3 5/8	1 37/64	1 5/32	2 3/16	1/2	3.7
1 7/16	VPLE-123	VE-123	1 13/16	6 3/4	5	1 3/4	7/8	9/16	21/32	3 5/8	1 37/64	1 5/32	2 3/16	1/2	3.7
1 1/2	VPLE-124	VE-124	1 15/16	7 1/8	5 3/8	1 15/16	1	9/16	3/4	3 15/16	1 49/64	1 9/32	2 3/8	1/2	4.8
1 11/16	VPLE-127	VE-127	2 1/16	7 3/8	5 21/32	2	29/32	9/16	11/16	4 3/16	1 49/64	1 9/32	2 1/2	1/2	5.6
1 3/4	VPLE-128	VE-128	2 1/16	7 3/8	5 21/32	2	29/32	9/16	11/16	4 3/16	1 49/64	1 9/32	2 1/2	1/2	5.6
1 15/16	VPLE-131	VE-131	2 3/16	8	6 3/16	2 3/16	15/16	11/16	11/16	4 1/2	1 25/32	1 9/32	2 3/4	5/8	6.2
2	VPLE-132S	VE-132S	2 3/16	8	6 3/16	2 3/16	15/16	11/16	11/16	4 1/2	1 25/32	1 9/32	2 3/4	5/8	6.2
2	VPLE-132	VE-132	2 7/16	8 13/16	6 15/16	2 5/16	1	11/16	13/16	4 29/32	1 63/64	1 7/16	3	5/8	7.9
2 3/16	VPLE-135	VE-135	2 7/16	8 13/16	6 15/16	2 5/16	1	11/16	13/16	4 29/32	1 63/64	1 7/16	3	5/8	7.9

CROSS REFERENCE TO COMPETITORS PRODUCTS

REPLACES DODGE P2B-SXVB		REPLACES SKF SYH-FM	REPLACES NTN AELPL2 or JELPL2
REPLACES FAFNIR VAK	REPLACES LINK-BELT PL3-W200U	REPLACES HUB CITY PB 220	REPLACES BOSTON L

Refer to Interchange Section Page 166 for more detail.

See page 156 for trademark acknowledgments.