



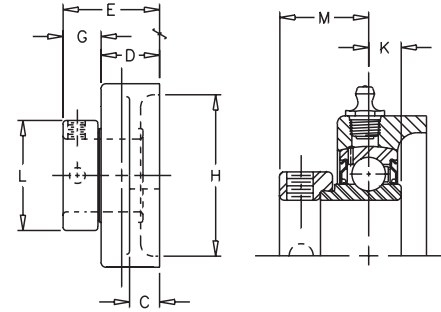
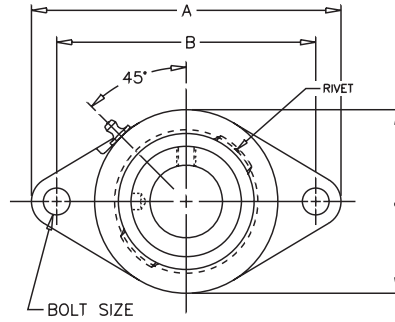
VF2E-100

Lock: Eccentric
Seal: Contact
Housing: Cast Iron
Temperature: -20°F to 200°F
Self Alignment: ±1.5°
Inserts: VE-100
 Dimensions pg 98
 Ratings pg 99

V VALUE & QUALITY
F FLANGE
2 TWO BOLT
E ECCENTRIC

1 100
0 INTERMEDIATE
0 DUTY

Bore Size	Fitting
1/2" - 1 1/4" S	1/4" - 28NF
1 1/4" - 2 3/16"	1/8" NPT



SHAFT DIA. IN.	UNIT NO.	BRG. NO.	Dimensions in Inches											BOLT SIZE IN.	UNIT WT.	
			A	B	BOLT C	D	E	G	H CORED	J	K	L	M			
1/2	VF2E-108	VE-108														
5/8	VF2E-110	VE-110	3 7/8	3	3/8	23/32	1 21/64	39/64	1 3/4	2 1/8	5/16	1 3/16	7/8	3/8	1.0	
3/4	VF2E-112	VE-112	4 13/32	3 17/32	7/16	57/64	1 31/64	19/32	2	2 1/2	11/32	1 5/16	59/64	3/8	1.1	
7/8	VF2E-114	VE-114														
15/16	VF2E-115	VE-115	4 7/8	3 57/64	1/2	61/64	1 35/64	19/32	2 5/16	2 3/4	11/32	1 1/2	59/64	7/16	1.5	
1	VF2E-116	VE-116														
1 1/8	VF2E-118	VE-118														
1 3/16	VF2E-119	VE-119	5 9/16	4 19/32	17/32	1 5/64	1 47/64	21/32	2 3/4	3 1/8	3/8	1 3/4	1 3/64	7/16	1.9	
1 1/4	VF2E-120S	VE-120S														
1 1/4	VF2E-120	VE-120														
1 3/8	VF2E-122	VE-122	6 1/8	5 1/8	19/32	1 5/32	1 29/32	3/4	3 3/16	3 5/8	27/64	2 3/16	1 5/32	1/2	2.8	
1 7/16	VF2E-123	VE-123														
1 1/2	VF2E-124	VE-124	6 3/4	5 21/32	5/8	1 19/64	2 7/64	13/16	3 1/2	4 1/8	31/64	2 3/8	1 9/32	1/2	3.6	
1 11/16	VF2E-127	VE-127														
1 3/4	VF2E-128	VE-128	7 1/16	5 27/32	5/8	1 21/64	2 5/32	13/16	3 3/4	4 3/8	31/64	2 1/2	1 9/32	9/16	3.8	
1 15/16	VF2E-131	VE-131														
2	VF2E-132S	VE-132S	7 7/16	6 3/16	5/8	1 23/64	2 5/32	51/64	4	4 9/16	1/2	2 3/4	1 9/32	9/16	4.5	
2	VF2E-132	VE-132														
2 3/16	VF2E-135	VE-135	8 1/2	7 1/4	13/16	1 33/64	2 7/16	59/64	4 1/4	5 1/4	35/64	3	1 7/16	5/8	6.1	

CROSS REFERENCE TO COMPETITORS PRODUCTS

REPLACES DODGE F2B-SXV		REPLACES SKF FYT-FM	
REPLACES FAFNIR VCJT	REPLACES LINK-BELT FX3-W200U	REPLACES HUB CITY FB 230	REPLACES BOSTON T*

Refer to Interchange Section Page 166 for more detail.
 *-Check length through bore