



100

Browning®

Ball Bearings

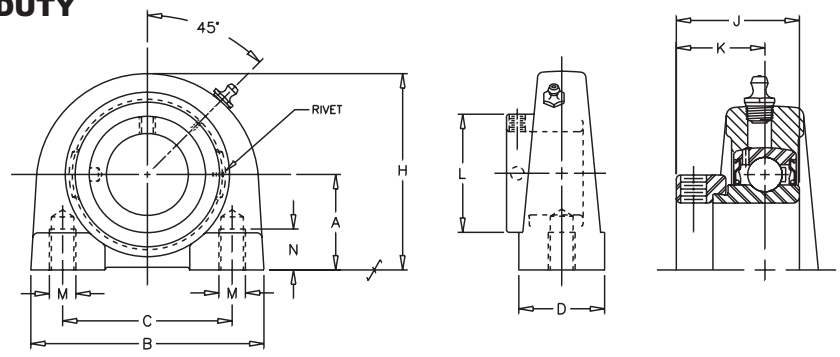
VTBE-100

Lock: Eccentric
Seal: Contact
Housing: Cast Iron
Temperature: -20°F to 200°F
Self Alignment: ±1.5°
Inserts: VE-100
 Dimensions pg 98
 Ratings pg 99

V VALUE & QUALITY
T TAPPED
B BASE
E ECCENTRIC

1 100
0 INTERMEDIATE
0 DUTY

Bore Size	Fitting
3/4" - 1 1/4" S	1/4" - 28NF
1 1/4" - 2"	1/8" NPT



SHAFT DIA. IN.	UNIT NO.	BRG. NO.	Dimensions In Inches								M BLOT HOLES UNC-THREAD	N MIN TAP DEPTH	UNIT WT.
			A	B	C	D	H	J	K	L			
3/4	VTBE-112	VE-112	1 5/16	2 7/8	2	1 1/2	2 9/16	1 17/64	59/64	1 5/16	3/8-16	1/2	1.5
7/8	VTBE-114	VE-114											
15/16	VTBE-115	VE-115	1 7/16	3	2	1 1/2	2 13/16	1 17/64	59/64	1 1/2	3/8-16	1/2	1.6
1	VTBE-116	VE-116											
1 1/8	VTBE-118	VE-118											
1 3/16	VTBE-119	VE-119	1 11/16	4	3	1 1/2	3 3/8	1 27/64	1 3/64	1 3/4	7/16-14	5/8	2.5
1 1/4	VTBE-120S	VE-120S											
1 1/4	VTBE-120	VE-120											
1 3/8	VTBE-122	VE-122	1 7/8	4 1/4	3 1/4	1 7/8	3 3/4	1 37/64	1 5/32	2 3/16	1/2-13	3/4	3.4
1 7/16	VTBE-123	VE-123											
1 1/2	VTBE-124	VE-124	1 15/16	4 5/8	3 1/2	1 7/8	3 15/16	1 49/64	1 9/32	2 3/8	1/2-13	3/4	3.8
1 11/16	VTBE-127	VE-127	2 1/8	5	3 3/4	2	4 1/4	1 49/64	1 9/32	2 1/2	1/2-13	3/4	4.7
1 3/4	VTBE-128	VE-128											
1 15/16	VTBE-131	VE-131	2 1/4	5 1/2	4	2	4 5/8	1 25/32	1 9/32	2 3/4	5/8-11	7/8	5.7
2	VTBE-132S	VE-132S											

CROSS REFERENCE TO COMPETITORS PRODUCTS

REPLACES FAFNIR VTB			

Refer to Interchange Section Page 166 for more detail.

See page 156 for trademark acknowledgments.