



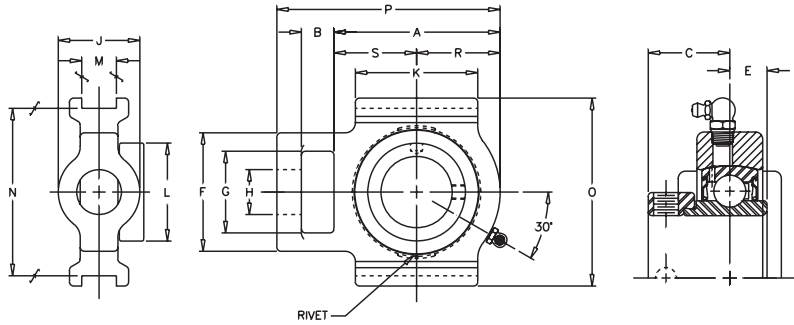
Ball Bearings

VALUE & QUALITY V
TAKE-UP T
WIDE SLOT W
ECCENTRIC E

100 1
INTERMEDIATE 0
DUTY 0

VTWE-100

Lock: Eccentric
Seal: Contact
Housing: Cast Iron
Temperature: -20°F to 200°F
Self Alignment: ±1.5°
Inserts: VE-100
Dimensions pg 98
Ratings pg 99



Bore Size	Fitting
3/4" - 1 1/4" S	1/4" - 28NF
1 1/4" - 2 3/16"	1/8" NPT

SHAFT DIA. IN	UNIT NO.	BRG NO.	Dimensions In Inches															UNIT WT	
			A	B	C	E	F	G	H CORE	J HUB	K	L	M	N	O	P	R		S
3/4	VTWE-112	VE-112	3	5/8	59/64	11/32	1 7/8	1 1/4	3/4	1 3/8	2 1/4	1 5/16	17/32	3	3 1/2	4	1 7/16	1 9/16	1.8
7/8	VTWE-114	VE-114																	
15/16	VTWE-115	VE-115	3 3/32	5/8	59/64	11/32	1 7/8	1 1/4	3/4	1 1/2	2 1/4	1 1/2	17/32	3	3 1/2	4 3/32	1 9/16	1 17/32	1.9
1	VTWE-116	VE-116																	
1 1/8	VTWE-118	VE-118																	
1 3/16	VTWE-119	VE-119	3 3/8	3/4	1 3/64	3/8	2 1/8	1 7/16	7/8	1 3/4	2 1/2	1 3/4	17/32	3 1/2	4	4 5/8	1 25/32	1 19/32	2.8
1 1/4	VTWE-120S	VE-120S																	
1 1/4	VTWE-120	VE-120																	
1 3/8	VTWE-122	VE-122	3 3/4	3/4	1 5/32	27/64	2 1/8	1 7/16	7/8	1 3/4	2 3/4	2 3/16	17/32	3 1/2	4	5	2	1 3/4	3.5
1 7/16	VTWE-123	VE-123																	
1 1/2	VTWE-124	VE-124	4 7/32	3/4	1 9/32	31/64	2 3/4	1 15/16	1 1/8	2 1/8	3 1/4	2 3/8	11/16	4	4 1/2	5 19/32	2 3/16	2 1/32	5.2
1 11/16	VTWE-127	VE-127	4 3/8	3/4	1 9/32	31/64	2 3/4	1 15/16	1 1/8	2 1/8	3 1/4	2 1/2	11/16	4	4 1/2	5 3/4	2 1/4	2 1/8	5.8
1 3/4	VTWE-128	VE-128																	
1 15/16	VTWE-131	VE-131	4 17/32	3/4	1 9/32	1/2	2 3/4	1 15/16	1 1/8	2 1/8	3 3/8	2 3/4	11/16	4	4 1/2	5 29/32	2 5/16	2 7/32	6.1
2	VTWE-132S	VE-132S																	
2	VTWE-132	VE-132	5 3/32	1	1 7/16	35/64	3 5/8	2 1/2	1 3/8	2 1/2	3 3/4	3	1 1/16	5 1/8	5 3/4	6 27/32	2 9/16	2 17/32	8.7
2 3/16	VTWE-135	VE-135																	

CROSS REFERENCE TO COMPETITORS PRODUCTS

REPLACES DODGE WSTU-SXV		REPLACES SKF TBY-FM	
REPLACES FAFNIR VTU		REPLACES HUB CITY WSTU 220	

Refer to Interchange Section Page 166 for more detail.

See page 156 for trademark acknowledgments.