



Ball Bearings

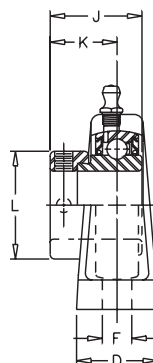
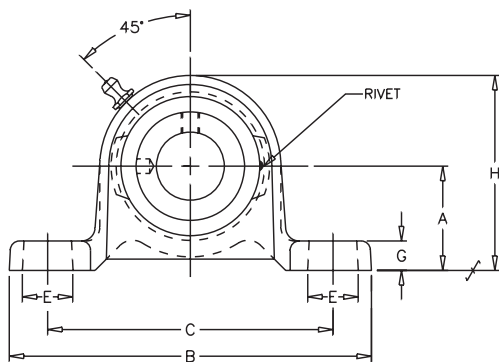
**VALUE & QUALITY V
PILLOW BLOCK P
ECCENTRIC E**

**100 1
INTERMEDIATE 0
DUTY 0
DUCTILE M**

VPE-100M

Lock: Eccentric
Seal: Contact
Housing: Ductile
Temperature: -20°F to 200°F
Self Alignment: ±1.5°
Inserts: VE-100
 Dimensions pg 98
 Ratings pg 99

Bore Size	Fitting
1/2" - 1 7/16"	1/4" - 28NF



SHAFT DIA. IN	UNIT NO.	BRG. NO.	Dimensions In Inches											UNIT WT.
			A	B	C	D	E	F	G	H	J	K	L	
1/2	VPE-108M	VE-108	1 3/16	4 7/16	3 7/16	1	21/32	7/16	11/32	2 5/32	1 3/16	7/8	1 3/16	1.0
5/8	VPE-110M	VE-110	1 3/16	4 7/16	3 7/16	1	21/32	7/16	11/32	2 5/32	1 3/16	7/8	1 3/16	1.0
3/4	VPE-112M	VE-112	1 5/16	4 3/4	3 17/32	1 1/16	21/32	7/16	3/8	2 7/16	1 17/64	59/64	1 5/16	1.5
7/8	VPE-114M	VE-114	1 7/16	5	3 15/16	1 1/8	21/32	7/16	13/32	2 11/16	1 17/64	59/64	1 1/2	1.7
15/16	VPE-115M	VE-115	1 7/16	5	3 15/16	1 1/8	21/32	7/16	13/32	2 11/16	1 17/64	59/64	1 1/2	1.7
1	VPE-116M	VE-116	1 7/16	5	3 15/16	1 1/8	21/32	7/16	13/32	2 11/16	1 17/64	59/64	1 1/2	1.7
1 1/8	VPE-118M	VE-118	1 11/16	5 15/16	4 23/32	1 5/16	13/16	17/32	13/32	3 5/32	1 27/64	1 3/64	1 3/4	2.7
1 3/16	VPE-119M	VE-119	1 11/16	5 15/16	4 23/32	1 5/16	13/16	17/32	13/32	3 5/32	1 27/64	1 3/64	1 3/4	2.7
1 1/4	VPE-120SM	VE-120S	1 7/8	6 1/4	5	1 3/8	13/16	17/32	7/16	3 9/16	1 37/64	1 5/32	2 3/16	3.6
1 1/4	VPE-120M	VE-120	1 7/8	6 1/4	5	1 3/8	13/16	17/32	7/16	3 9/16	1 37/64	1 5/32	2 3/16	3.6
1 3/8	VPE-122M	VE-122	1 7/8	6 1/4	5	1 3/8	13/16	17/32	7/16	3 9/16	1 37/64	1 5/32	2 3/16	3.6
1 7/16	VPE-123M	VE-123	1 7/8	6 1/4	5	1 3/8	13/16	17/32	7/16	3 9/16	1 37/64	1 5/32	2 3/16	3.6

CROSS REFERENCE TO COMPETITORS PRODUCTS

		REPLACES SEALMASTER BRONZE LP-E	

Refer to Interchange Section Page 166 for more detail.

See page 156 for trademark acknowledgments.