

Eccentric



100

VF3E-100M

Lock: Eccentric
Seal: Contact
Housing: Ductile
Temperature: -20°F to 200°F
Self Alignment: ±1.5°
Inserts: VE-100
 Dimensions pg 98
 Ratings pg 99

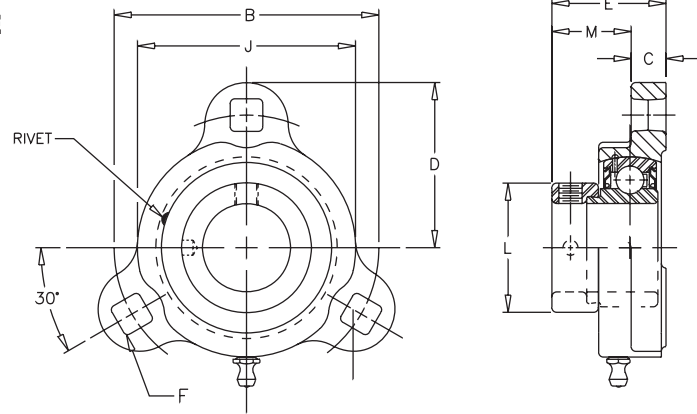
Bore Size	Fitting
1/2" - 1 7/16"	1/4" - 28NF

V VALUE & QUALITY
F FLANGE
3 THREE BOLT
E ECCENTRIC

1 100
0 INTERMEDIATE
0 DUTY
M DUCTILE

Browning®

Ball Bearings



SHAFT DIA. IN.	UNIT NO.	BRG. NO.	B	C	D	E	F	J	L	M	UNIT WT.
1/2	VF3E-108M	VE-108	2 1/2	13/32	1 19/32	1 7/32	19/64	1 15/16	1 3/16	7/8	0.8
5/8	VF3E-110M	VE-110									
3/4	VF3E-112M	VE-112	2 13/16	7/16	1 25/32	1 5/16	23/64	2 1/4	1 5/16	59/64	0.9
7/8	VF3E-114M	VE-114									
15/16	VF3E-115M	VE-115	3	7/16	1 7/8	1 11/32	23/64	2 1/2	1 1/2	59/64	1.1
1	VF3E-116M	VE-116									
1 1/8	VF3E-118M	VE-118									
1 3/16	VF3E-119M	VE-119	3 9/16	15/32	2 7/32	1 35/64	27/64	2 15/16	1 3/4	1 1/16	1.6
1 1/4	VF3E-120SM	VE-120S									
1 1/4	VF3E-120M	VE-120									
1 3/8	VF3E-122M	VE-122	3 15/16	1/2	2 13/32	1 11/16	27/64	3 3/8	2 3/16	1 5/32	2.2
1 7/16	VF3E-123M	VE-123									

CROSS REFERENCE TO COMPETITORS PRODUCTS

		REPLACES SEALMASTER BRONZE LF-E	
REPLACES FAFNIR GRFD or GVFDR	REPLACES LINK-BELT F-YG200N*		

Refer to Interchange Section Page 166 for more detail.
 *-3 Bolt Only