

# Browning®

## Ball Bearings



100

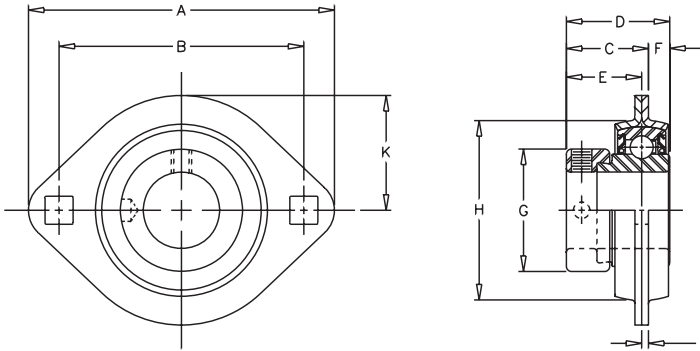
STAMPED S  
 STEEL S  
 FLANGE F  
 TWO BOLT 2  
 ECCENTRIC E

100 1  
 LIGHT 0  
 DUTY 0

# SSF2E-100

Lock: Eccentric  
 Seal: Contact  
 Housing: Stamped Steel  
 Temperature: -20°F to 200°F  
 Self Alignment: ±1.5°  
 Inserts: LE-100  
 Dimensions pg 97

**No Re-Lube**



SHAFT DIA. IN.	MAX STEADY RADIAL LOAD LBS.	UNIT NO.	BRG. NO.	Dimensions In Inches										BOLT SIZE	UNIT WT.
				A	B	C	D	E	F	G	H	K	L		
1/2	600	SSF2E-108	LE-108	3 3/16	2 1/2	61/64	1 3/16	7/8	15/64	1 3/16	1 47/64	1 1/8	.075	1/4	0.7
5/8		SSF2E-110	LE-110												
3/4	600	SSF2E-112	LE-112	3 9/16	2 13/16	1	1 17/64	59/64	1/4	1 5/16	2 1/64	1 5/16	.083	5/16	0.9
7/8	800	SSF2E-114	LE-114	3 3/4	3	1	1 17/64	59/64	1/4	1 1/2	2 7/32	1 13/32	.083	5/16	1.0
15/16		SSF2E-115	LE-115												
1		SSF2E-116	LE-116												
1 1/8	1100	SSF2E-118	LE-118	4 7/16	3 9/16	1 11/64	1 27/64	1 1/16	17/64	1 3/4	2 21/32	1 21/32	.104	3/8	1.1
1 3/16		SSF2E-119	LE-119												
1 1/4		SSF2E-120S	LE-120S												

### CROSS REFERENCE TO COMPETITORS PRODUCTS

DODGE F2B-SLX	REPLACES SKF FT-FM	REPLACES SEALMASTER BRONZE SSFT-E	REPLACES NTN AELPFL2 or JELPFL2
REPLACES FAFNIR RAT	REPLACES LINK-BELT MST		

Refer to Interchange Section Page 166 for more detail.

See page 156 for trademark acknowledgments.