

Eccentric



100

Browning[®]

Ball Bearings

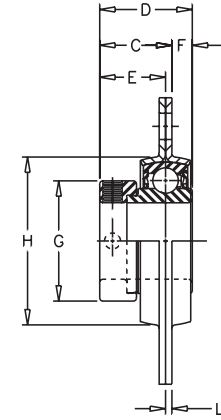
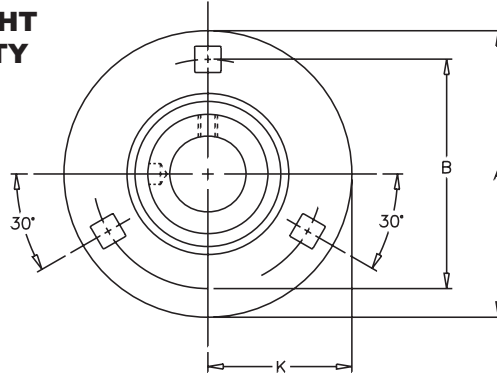
SSF3E-100

Lock: Eccentric
 Seal: Contact
 Housing: Stamped Steel
 Temperature: -20°F to 200°F
 Self Alignment: ±1.5°
 Inserts: LE-100
 Dimensions pg 97

S STAMPED
S STEEL
F FLANGE
3 THREE BOLT
E ECCENTRIC

1 100
0 LIGHT
0 DUTY

No Re-Lube



SHAFT DIA. IN.	MAX STEADY RADIAL LOAD LBS.	UNIT NO.	BRG. NO.	Dimensions In Inches										BOLT SIZE	UNIT WT.
				A	B	C	D	E	F	G	H	K	L		
3/4	600	SSF3E-112	LE-112	3 9/16	2 13/16	1	1 17/64	59/64	1/4	1 5/16	2 1/64	1 25/32	.083	5/16	1.1
7/8	800	SSF3E-114	LE-114	3 3/4	3	1	1 17/64	59/64	1/4	1 1/2	2 7/32	1 7/8	.083	5/16	1.4
15/16		SSF3E-115	LE-115												
1		SSF3E-116	LE-116												
1 1/8	1100	SSF3E-118	LE-118	4 7/16	3 9/16	1 5/32	1 27/64	1 1/16	17/64	1 3/4	2 21/32	2 7/32	.104	3/8	1.6
1 3/16		SSF3E-119	LE-119												
1 1/4		SSF3E-120S	LE-120S												
1 1/4	1400	SSF3E-120	LE-120	4 13/16	3 15/16	1 17/64	1 37/64	1 5/32	5/16	2 3/16	3 1/16	2 13/32	.104	3/8	1.9
1 3/8		SSF3E-122	LE-122												
1 7/16		SSF3E-123	LE-123												

CROSS REFERENCE TO COMPETITORS PRODUCTS

REPLACES DODGE F3B-SLX	REPLACES SKF F-FM	REPLACES SEALMASTER BRONZE SSF-E	REPLACES NTN AELPF2 or JELPF2
REPLACES FAFNIR RR/GRR or RA/RP	REPLACES LINK-BELT MS*		

Refer to Interchange Section Page 166 for more detail.
 *-Bearings not included