

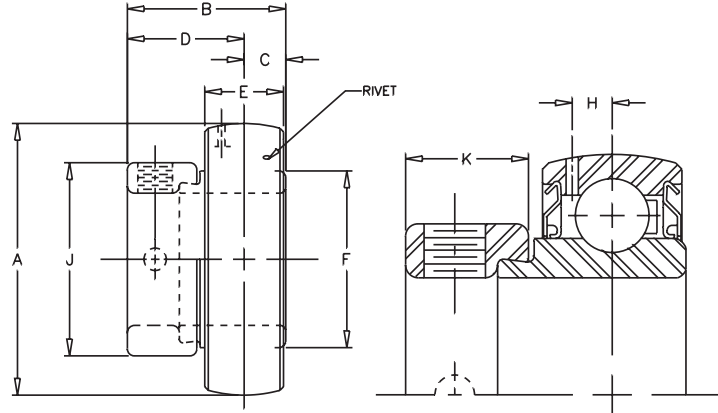


**VE-100**

Lock: Eccentric  
 Seal: Contact  
 Temperature: -20°F to 200°F  
 Ratings: Page 99

**V VALUE & QUALITY**  
**E ECCENTRIC**

**1 100**  
**0 INTERMEDIATE**  
**0 DUTY**



SHAFT DIA. IN	BRG. NO.	Dimensions In Inches									SET SCREW TAP	UNIT WT.
		A	B	C	D	E	F	H	J	K		
1/2	VE-108	40MM	1 3/16	5/16	7/8	.512	31/32	9/64	1 3/16	17/32	1/4-28	.4
5/8	VE-110	1.5748										
3/4	VE-112	47MM 1.8504	1 17/64	11/32	59/64	.591	1 3/16	5/32	1 5/16	17/32	1/4-28	.4
7/8	VE-114	52MM	1 17/64	11/32	59/64	.591	1 3/8	5/32	1 1/2	17/32	1/4-28	.5
15/16	VE-115	2.0472										
1	VE-116											
1 1/8	VE-118	62MM	1 7/16	3/8	1 3/64	.709	1 19/32	13/64	1 3/4	5/8	5/16-24	.7
1 3/16	VE-119	2.4409										
1 1/4	VE-120S											
1 1/4	VE-120	72MM	1 37/64	27/64	1 5/32	.748	1 55/64	15/64	2 3/16	11/16	3/8-24	1.1
1 3/8	VE-122	2.8346										
1 7/16	VE-123											
1 1/2	VE-124	80MM 3.1496	1 49/64	31/64	1 9/32	.866	2 1/16	17/64	2 3/8	23/32	3/8-24	1.4
1 11/16	VE-127	85MM	1 49/64	31/64	1 9/32	.866	2 19/64	17/64	2 1/2	23/32	3/8-24	1.6
1 3/4	VE-128	3.3465										
1 15/16	VE-131	90MM	1 25/32	1/2	1 9/32	.906	2 15/32	9/32	2 3/4	23/32	3/8-24	1.8
2	VE-132S	3.5433										
2	VE-132	100MM	1 63/64	35/64	1 7/16	.984	2 23/32	5/16	3	13/16	7/16-20	2.5
2 3/16	VE-135	3.9370										

**CROSS REFERENCE TO COMPETITORS PRODUCTS**

For insert interchange information, contact EPT Mounted Bearing Technical Support.  
 See page 260 for contact information.