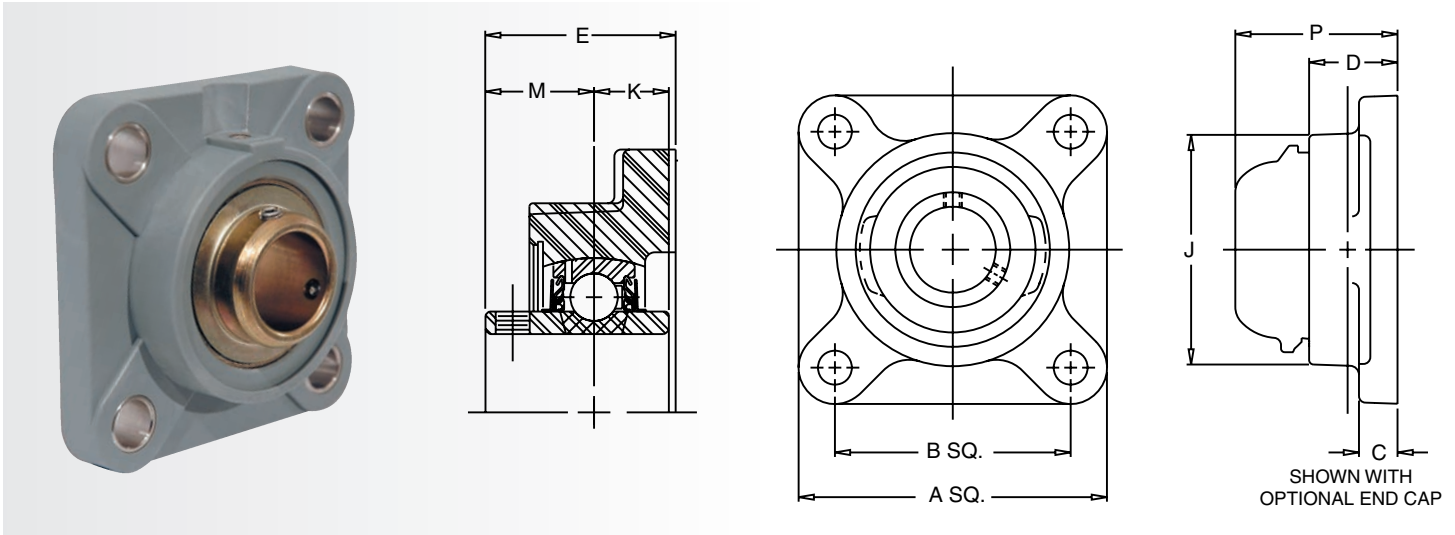


Mounted Ball Bearings



CF4S-Z NGF Series 4 Bolt Flange / Composite Housings

CRES CZ Description	Shaft Size	A	B	C	D	E	J	K	M	P	Bolt Size	Open Cap	Closed Cap	Backside Shield
CF4S-Z212 NGF	3/4	3 7/16	2 1/2	7/16	61/64	1 9/32	2 3/8	1/2	23/32	2 13/64	3/8	ECO-12	ECC-12	4BSS-12
CF4S-Z216 NGF	1	3 51/64	2 3/4	17/32	1 5/64	1 7/16	2 21/32	9/16	13/16	2 23/64	7/16	ECO-16	ECC-16	4BSS-16
CF4S-Z219 NGF	1 3/16	4 11/32	3 1/4	17/32	1 13/64	1 9/16	3 3/16	5/8	7/8	2 15/32	7/16	ECO-19	ECC-19	4BSS-19
CF4S-Z220S NGF	1 1/4	4 11/32	3 1/4	17/32	1 13/64	1 9/16	3 3/16	5/8	7/8	2 15/32	7/16	ECO-20R	ECC-19	4BSS-20R
CF4S-Z220 NGF	1 1/4	4 53/64	3 5/8	9/16	1 11/32	1 3/4	3 21/32	11/16	1	2 43/64	1/2	ECO-20	ECC-23	4BSS-20
CF4S-Z223 NGF	1 7/16	4 53/64	3 5/8	9/16	1 11/32	1 3/4	3 21/32	11/16	1	2 43/64	1/2	ECO-23	ECC-23	4BSS-23
CF4S-Z224 NGF	1 1/2	5 1/4	4	9/16	1 1/2	2 1/64	4 1/64	3/4	1 3/16	2 15/16	1/2	ECO-24	ECC-24	4BSS-24

CRES CZ regreaseable options are available by removing the NGF suffix.

BEARINGS

Corrosion Resistant Engineered Solutions

