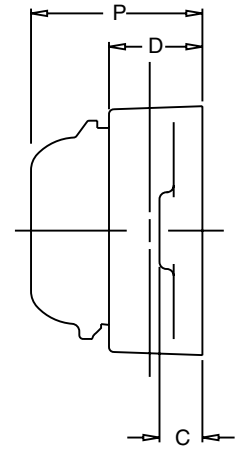
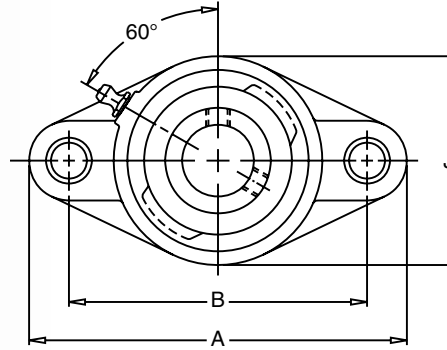
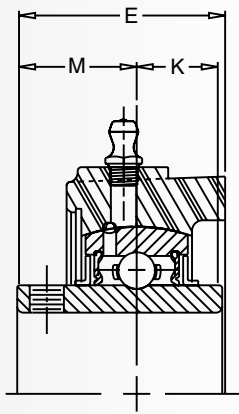


# Mounted Ball Bearings



SHOWN WITH  
OPTIONAL END CAP

## CF2S-S Series 2 Bolt Flange / Composite Housings

CRES CS Description	Shaft Size	A	B	C	D	E	J	K	M	P	Bolt Size	Open Cap	Closed Cap	Backside Shield
CF2S-S212	3/4	4 15/32	3 17/32	7/16	31/32	1 9/32	2 7/16	1/2	23/32	2 13/64	3/8	ECO-12	ECC-12	2BSS-12
CF2S-S216	1	4 15/16	3 57/64	17/32	1 5/64	1 7/16	2 23/32	9/16	25/32	2 23/64	7/16	ECO-16	ECC-16	2BSS-16
CF2S-S219	1 3/16	5 11/16	4 19/32	17/32	1 7/32	1 9/16	3 1/4	5/8	7/8	2 31/64	7/16	ECO-19	ECC-19	2BSS-19
CF2S-S220S	1 1/4	5 11/16	4 19/32	17/32	1 7/32	1 9/16	3 1/4	5/8	7/8	2 31/64	7/16	ECO-20R	ECC-19	2BSS-20R
CF2S-S220	1 1/4	6 21/64	5 1/8	9/16	1 11/32	1 3/4	3 45/64	11/16	1	2 43/64	1/2	ECO-20	ECC-23	2BSS-20
CF2S-S223	1 7/16	6 21/64	5 1/8	9/16	1 11/32	1 3/4	3 45/64	11/16	1	2 43/64	1/2	ECO-23	ECC-23	2BSS-23
CF2S-S224	1 1/2	6 29/32	5 21/32	9/16	1 1/2	2 1/64	4 7/64	3/4	1 3/16	2 15/16	1/2	ECO-24	ECC-24	2BSS-24

# BEARINGS

Corrosion Resistant Engineered Solutions

