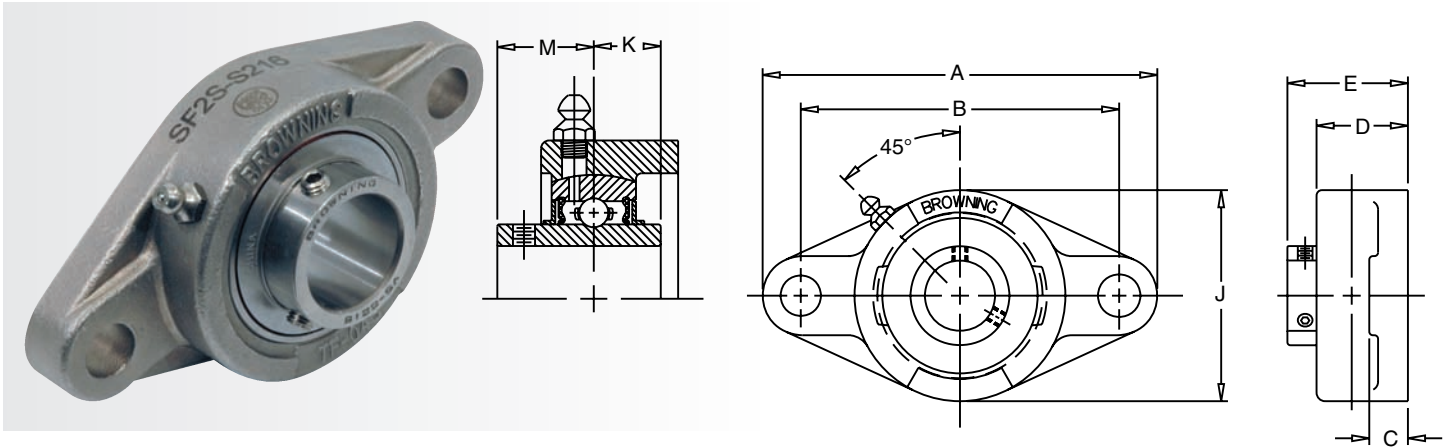


Mounted Ball Bearings



SF2S-S Series 2 Bolt Flange / Stainless Steel Housings

CRES SS Description	Shaft Size	A	B	C	D	E	J	K	M	Bolt Size
SF2S-S212	3/4	4 13/32	3 17/32	7/16	63/64	1 5/16	2 7/16	1/2	23/32	3/8
SF2S-S216	1	4 7/8	3 57/64	33/64	1 3/64	1 13/32	2 11/16	9/16	25/32	3/8
SF2S-S219	1 3/16	5 5/8	4 19/32	33/64	1 3/16	1 37/64	3 9/64	5/8	7/8	1/2
SF2S-S220S	1 1/4	5 5/8	4 19/32	33/64	1 3/16	1 37/64	3 9/64	5/8	7/8	1/2
SF2S-S220	1 1/4	6 5/32	5 1/8	35/64	1 19/64	1 3/4	3 35/64	11/16	1	1/2
SF2S-S223	1 7/16	6 5/32	5 1/8	35/64	1 19/64	1 3/4	3 35/64	11/16	1	1/2
SF2S-S224	1 1/2	6 3/4	5 21/32	35/64	1 27/64	2 1/64	3 15/16	3/4	1 3/16	1/2

BEARINGS

Corrosion Resistant Engineered Solutions

