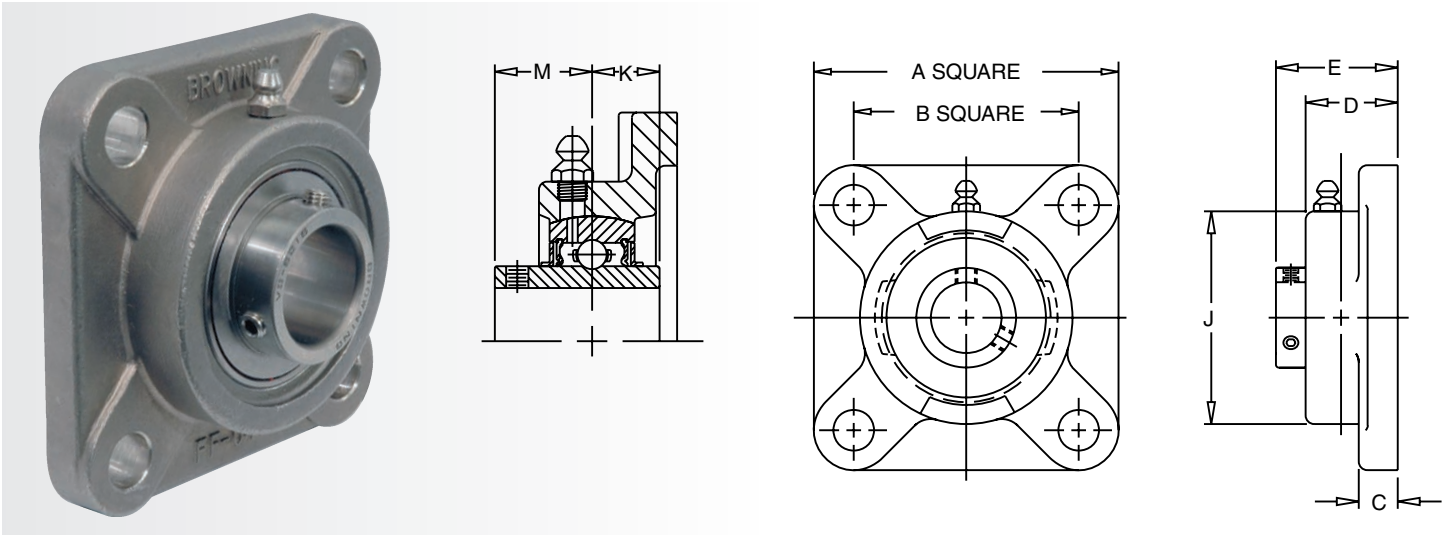


Mounted Ball Bearings



SF4S-S Series 4 Bolt Flange / Stainless Steel Housings

CRES SS Description	Shaft Size	A	B	C	D	E	J	K	M	Bolt Size
SF4S-S212	3/4	3 3/8	2 1/2	7/16	63/64	1 5/16	2 31/64	1/2	23/32	3/8
SF4S-S216	1	3 3/4	2 3/4	33/64	1 3/64	1 13/32	2 43/64	9/16	25/32	3/8
SF4S-S219	1 3/16	4 1/4	3 1/4	33/64	1 3/16	1 37/64	3 5/32	5/8	7/8	1/2
SF4S-S220S	1 1/4	4 1/4	3 1/4	33/64	1 3/16	1 37/64	3 5/32	5/8	7/8	1/2
SF4S-S220	1 1/4	4 5/8	3 5/8	35/64	1 19/64	1 3/4	3 35/64	11/16	1	1/2
SF4S-S223	1 7/16	4 5/8	3 5/8	35/64	1 19/64	1 3/4	3 35/64	11/16	1	1/2
SF4S-S224	1 1/2	5 1/8	4	35/64	1 13/32	2 1/64	3 15/16	3/4	1 3/16	1/2

VS-S Insert

Description	Shaft Size	A	B	D	E	G	H	Interchange	
								AMI	FYH
VS-S212	3/4	1.8504	1 7/32	23/32	5/8	13/64	5/32	MUC 204-12	UC 204-12S6
VS-S216	1	2.0472	1 11/32	25/32	43/64	7/32	5/32	MUC 205-16	UC-205-16S6
VS-S219	1 3/16	2.4409	1 1/2	7/8	3/4	7/32	13/64	MUC 206-19	UC-206-19S6
VS-S220S	1 1/4	2.4409	1 1/2	7/8	3/4	7/32	13/64	MUC 206-20	UC-206-20S6
VS-S220	1 1/4	2.8346	1 11/16	1	25/32	9/32	7/32	MUC-207-20	UC-207-20S6
VS-S223	1 7/16	2.8346	1 11/16	1	25/32	9/32	7/32	MUC-207-23	UC-207-23S6
VS-S224	1 1/2	3.1496	1 15/16	1 3/16	53/64	5/16	15/64	MUC-208-24	UC-208-24S6

The following trade names, trademarks and/or registered trademarks are used in this material by Emerson Power Transmission Corporation for comparison purposes only, are NOT owned by Emerson Power Transmission Corporation and are believed to be owned by the following parties: AMI is a registered trademark of ASAHI Tec Corp. of Japan; FYH is a registered trademark of Nippon Pillow Block Sales Co. LTD of Japan.

BEARINGS

Corrosion Resistant Engineered Solutions

