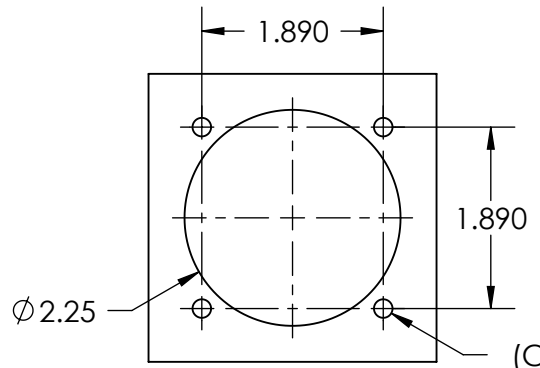
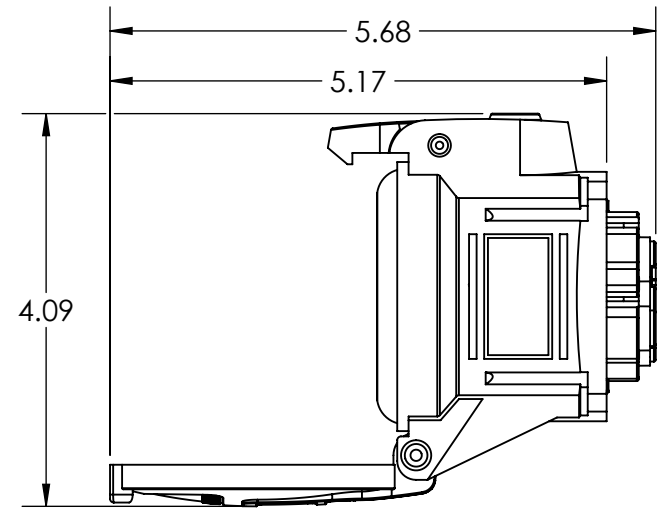
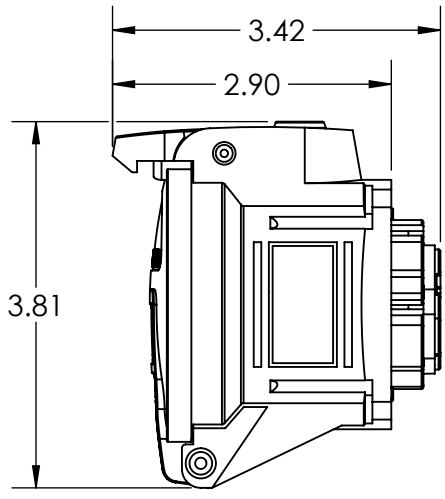
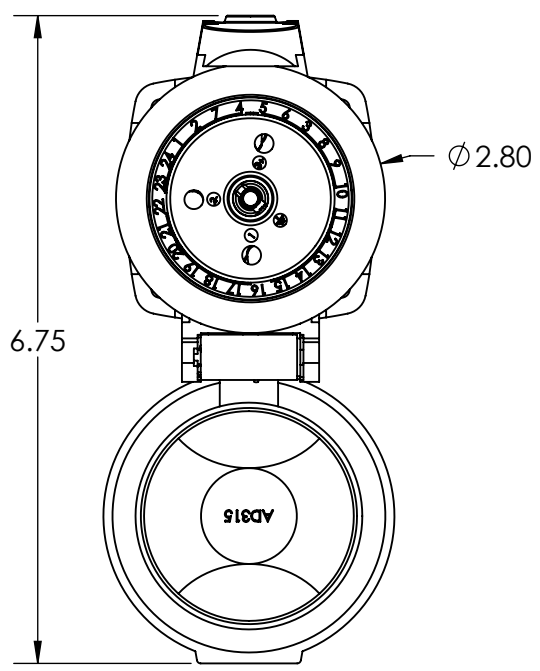
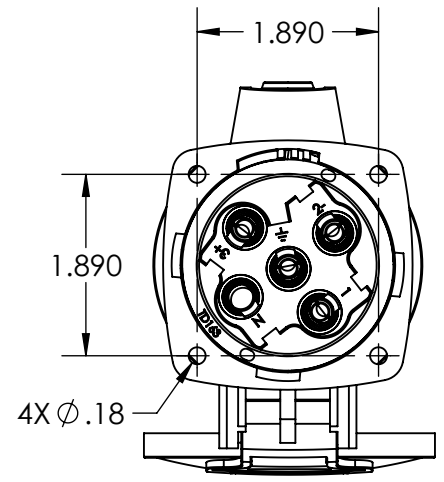
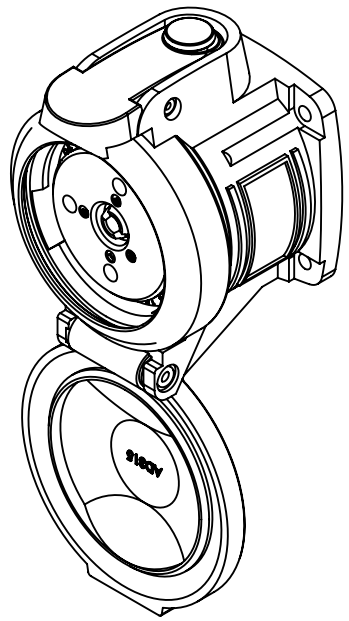


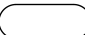
This drawing is the property of MELTRIC Corporation, Franklin (Milwaukee), Wisconsin, USA. Any unauthorized copying of this drawing by any means, ENG/RD/06 REV: 20 ISSUED DATE: 1/15/11 or disclosure of its contents to any person not authorized by MELTRIC Corporation or its agents to receive it, is strictly prohibited.




ENTRY HOLE PATTERN

4X  $\phi$  .192  
(CLEARANCE FOR 8-32  
HARDWARE)



TOLERANCES UNLESS OTHERWISE SPECIFIED	
MACHINED SURFACES $\sqrt[125]{\text{MAX}}$	<b>ENGLISH</b> <b>0.X <math>\pm</math>0.05</b> <b>0.XX <math>\pm</math>0.01</b> <b>0.XXX <math>\pm</math>0.005</b>
GROUND SURFACES $\sqrt[32]{\text{MAX}}$	
ANGLE TOLERANCE $\pm 1^\circ$	
REMOVE BURRS & SHARP EDGES TO .015 MAX.	
 DIMENSIONS SHOWN IN OVALS ARE INSPECTION DIMENSIONS.	

		DRAWING TITLE:	
A COMPANY OF MARECHAL ELECTRIC		DSN30 RECEPTACLE	
DRAWN	APPROVED	SCALE	MATERIAL:
DATE:		NTS	BLUE POLY CASING
SHEET:		PART NUMBER	REVISION
1 OF 1		63-34xxx	