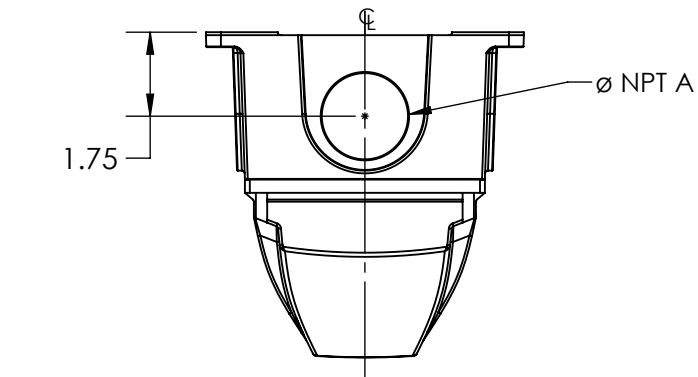
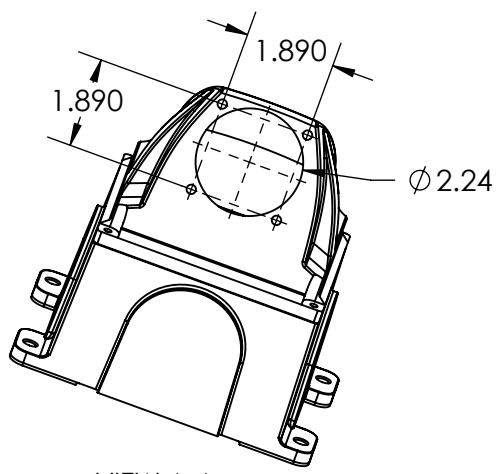
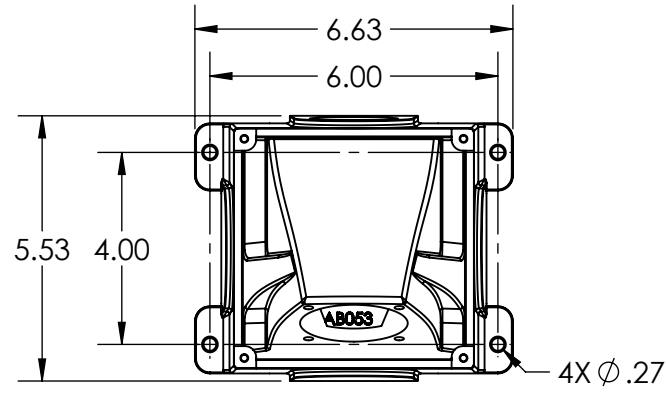
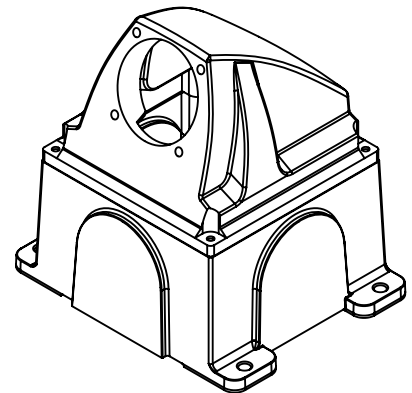


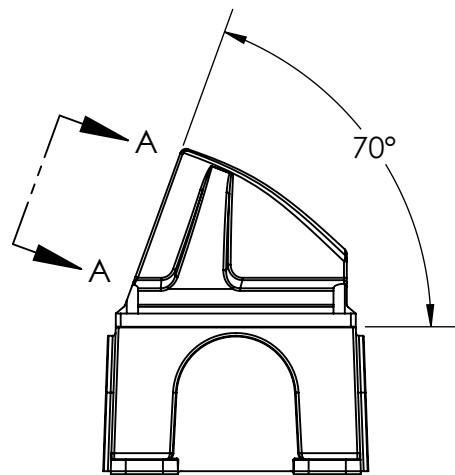
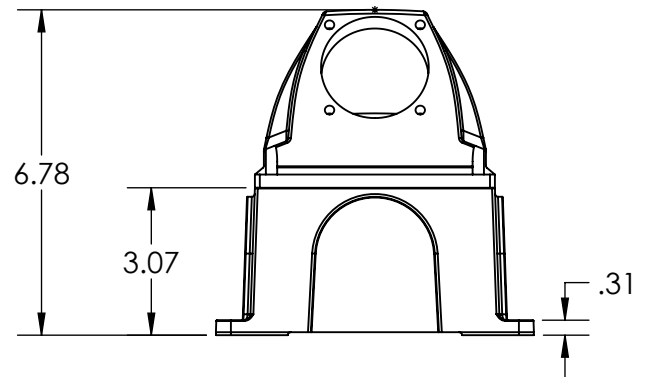
This drawing is the property of MELTRIC Corporation, Franklin (Milwaukee) Wisconsin, USA. Any unauthorized copying of this drawing by any means, ENG/RD/06 REV: 20 ISSUED DATE: 1/15/11 or disclosure of its contents to any person not authorized by MELTRIC Corporation or its agents to receive it, is strictly prohibited.

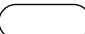



PART NUMBER	NPT A SIZE
752C7N05	1/2" NPT
752C7N07	3/4" NPT
752C7N10	1" NPT
752C7N12	1-1/4" NPT
752C7N15	1-1/2" NPT



VIEW A-A



TOLERANCES UNLESS OTHERWISE SPECIFIED		ENGLISH
MACHINED SURFACES $\sqrt[125]{\text{MAX}}$		
GROUND SURFACES $\sqrt[32]{\text{MAX}}$		
ANGLE TOLERANCE ±1°		
REMOVE BURRS & SHARP EDGES TO .015 MAX.		
 DIMENSIONS SHOWN IN OVALS ARE INSPECTION DIMENSIONS.		

 A COMPANY OF MARÉCHAL ÉLECTRIC		DRAWING TITLE:	
		<b>SIZE 2 METAL BOX/POLY 70° ANGLE</b>	
DRAWN: _____ DATE: _____	APPROVED: _____ SCALE: NTS	MATERIAL: <b>BLACK METAL BOX/BLACK POLY ANGLE</b>	
SHEET: 1 OF 1	PART NUMBER: <b>752C7Nxx</b>	REVISION: _____	