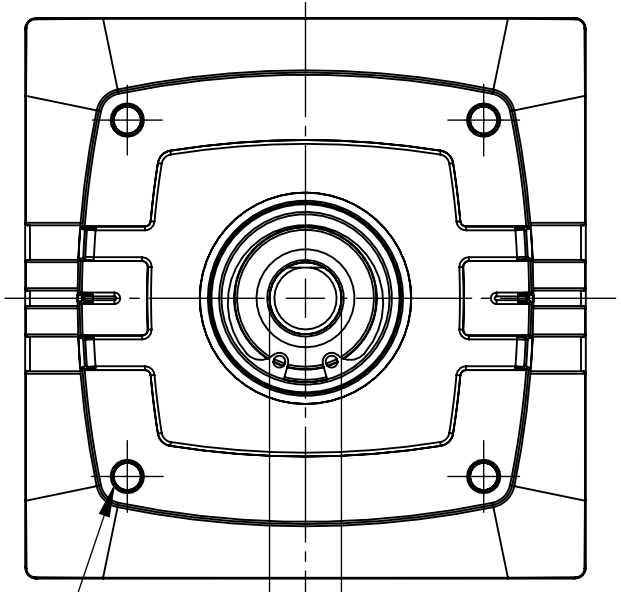
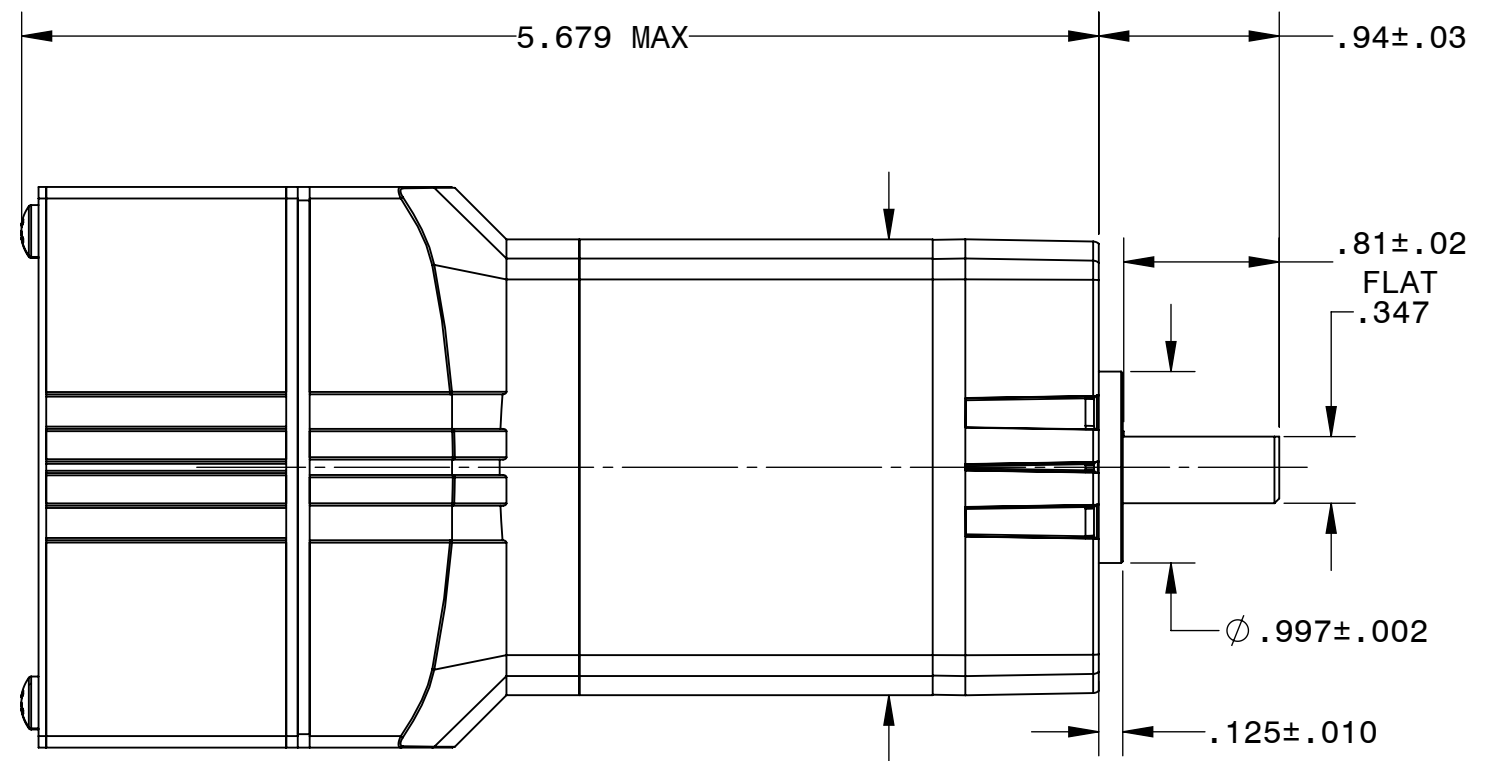
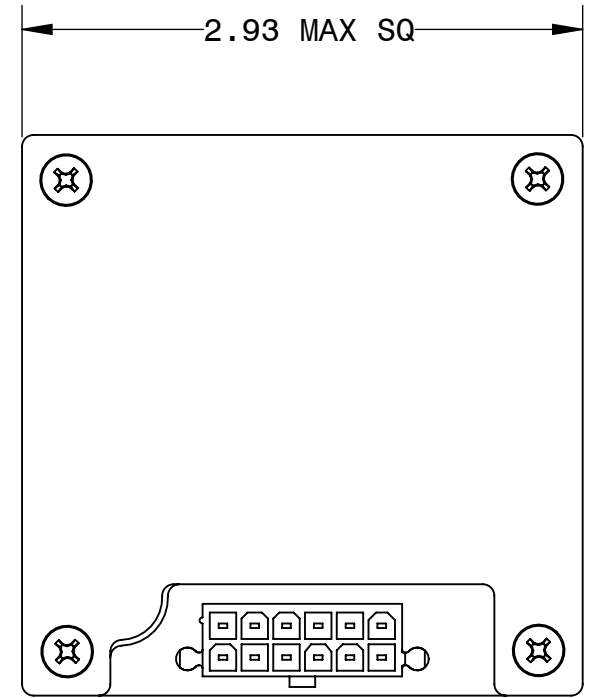


BODINE ELECTRIC COMPANY

PART NO./REV:	INFM0215	B
DESCRIPTION:	MOTOR 22B4BEBL/FV AND /SR	
SHEET:	UNLESS OTHERWISE SPECIFIED:	
1/1	UNITS ARE IN INCHES [mm]	
SCALE:	TOLERANCES: .XX:±.01 .XXX:±.005	
1:1	ANGLES: X°:±3° X.X°:±0.5°	
<b>B</b>		



4X 8-32 UNF-2B  
X .35 MIN  
EQUALLY SPACED  
ON Ø2.625

REPRESENTATIVE OF MODEL NUMBER(S):  
3704 3804

