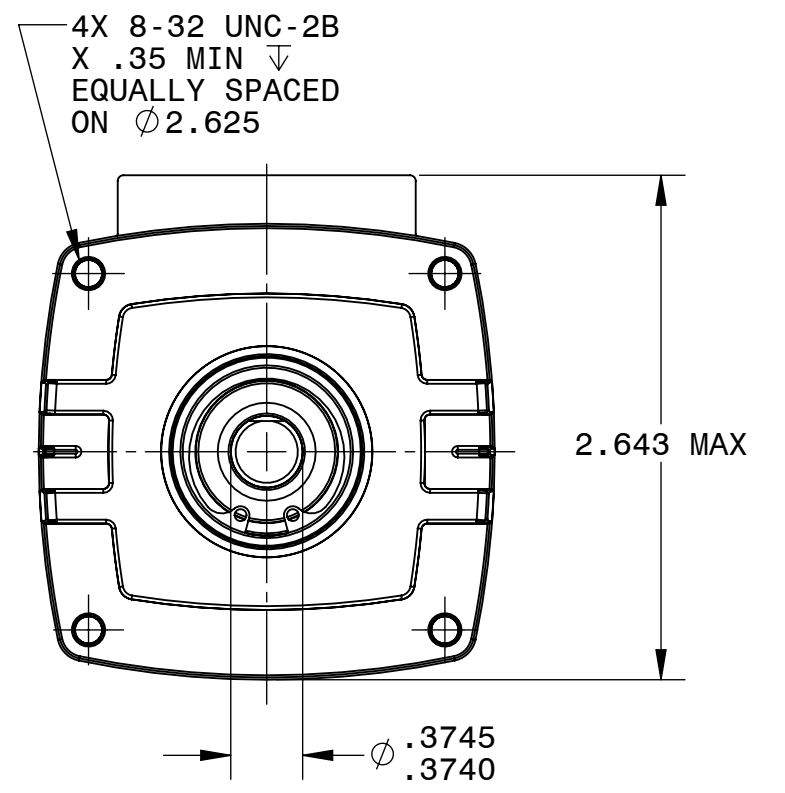
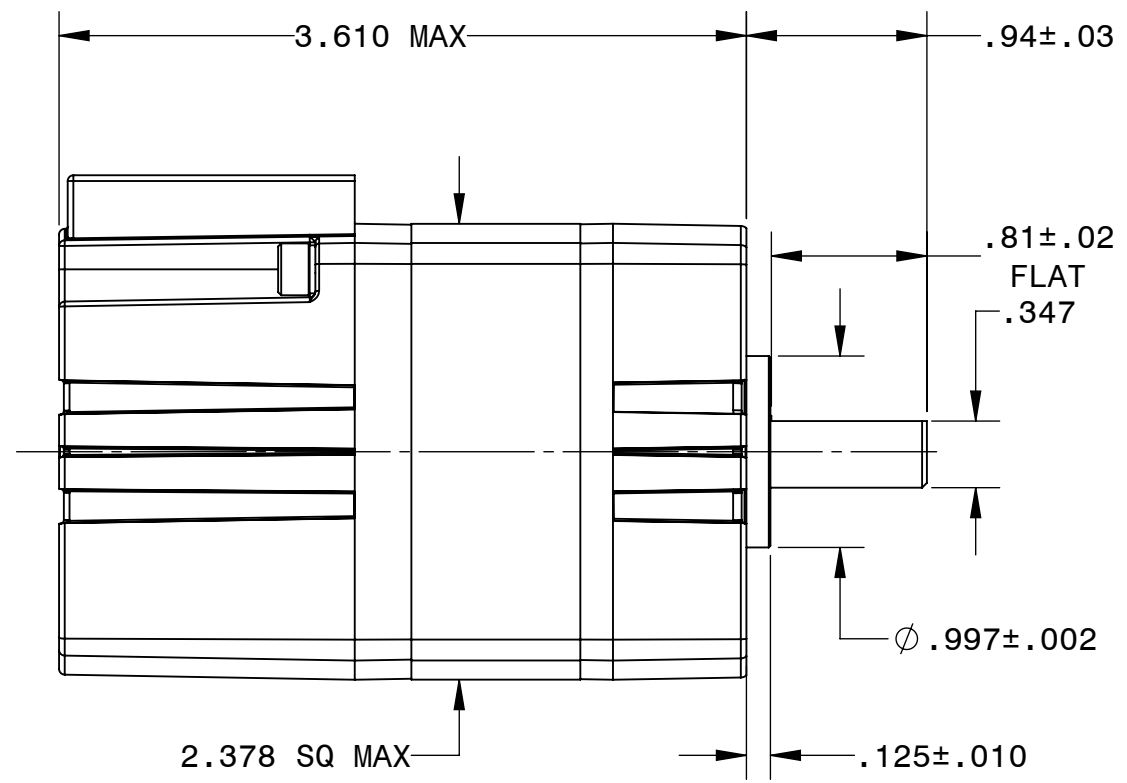
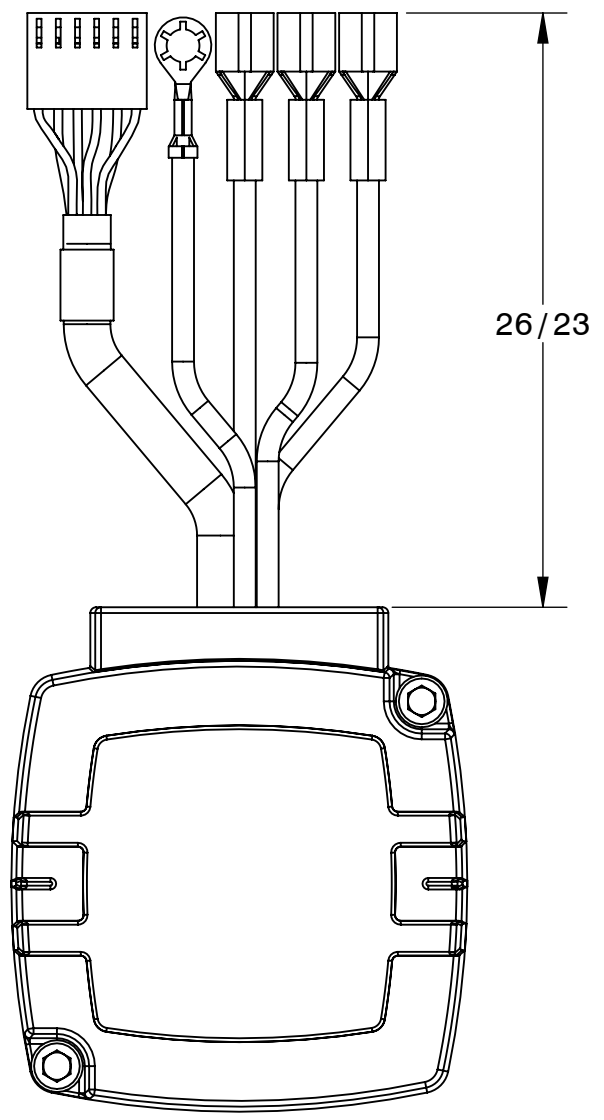


BODINE ELECTRIC COMPANY

PART NO./REV:	INFM0233	B
DESCRIPTION:	MOTOR 22B2BEBL	
SHEET:	1/1	UNLESS OTHERWISE SPECIFIED:
SCALE:	1:1	UNITS ARE IN INCHES [mm]
		TOLERANCES: .XX:±.01 .XXX:±.005
		ANGLES: X°:±3° X.X°:±0.5°



REPRESENTATIVE OF MODEL NUMBER(S):
3502

