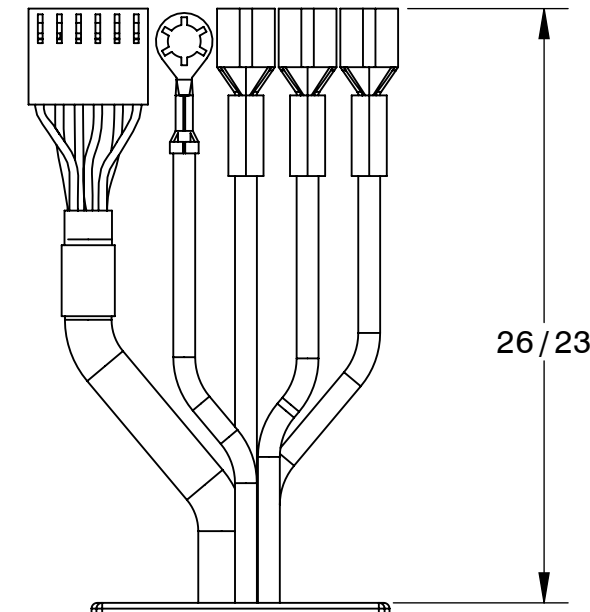
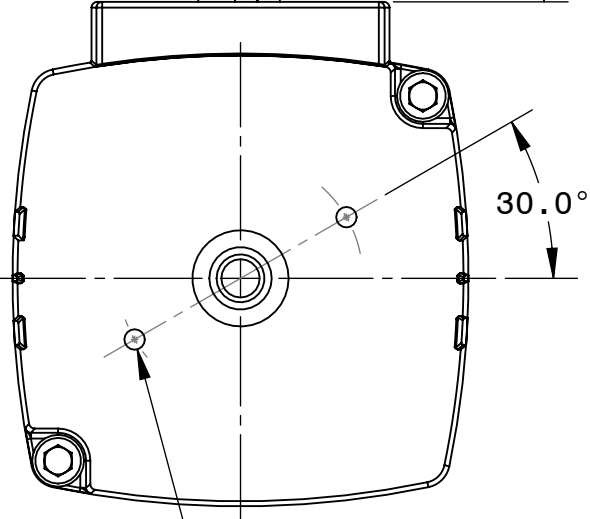


BODINE ELECTRIC COMPANY

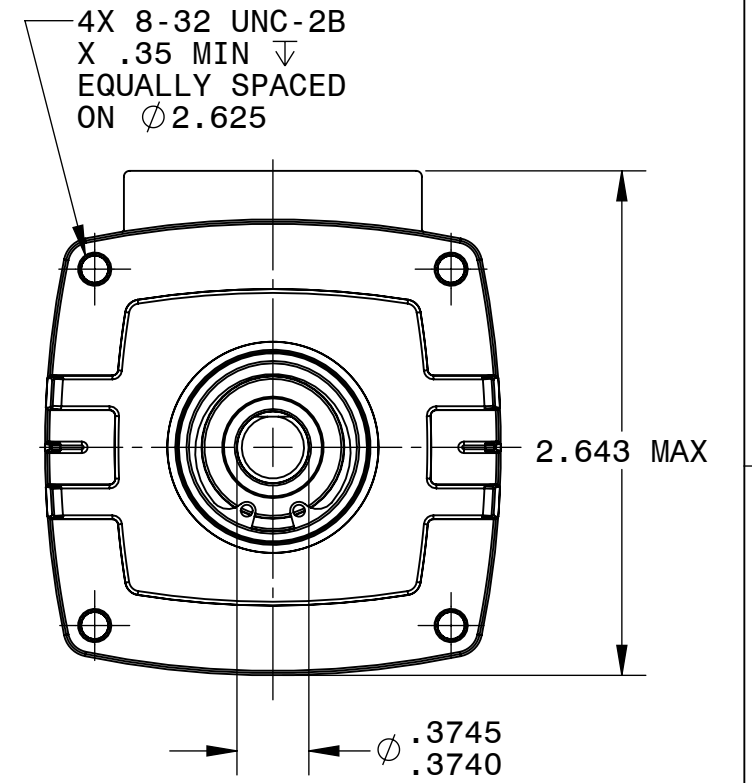
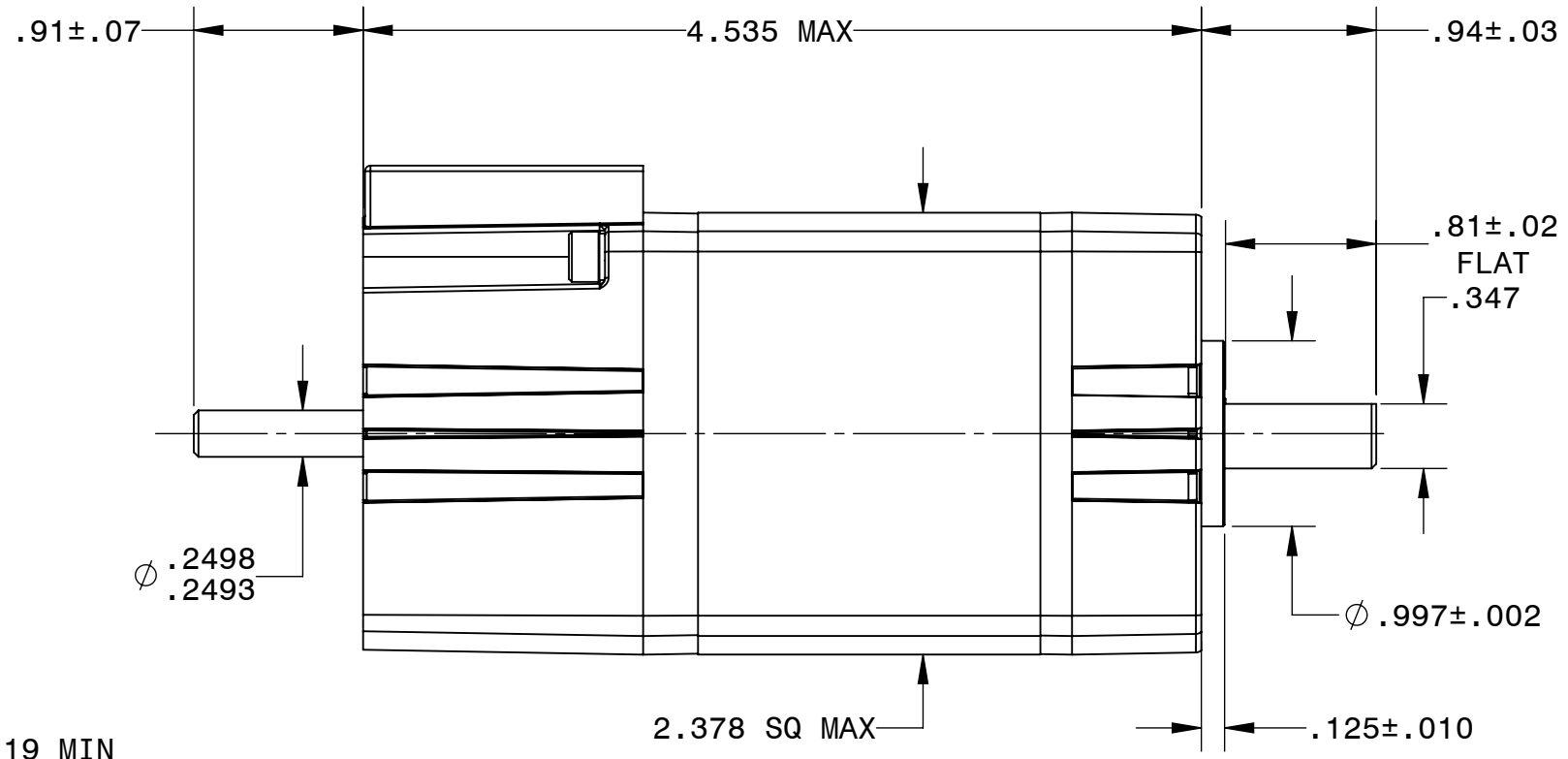
PART NO./REV:	INFM0236	B
DESCRIPTION:	MOTOR 22B4FEBL	
SHEET:	1/1	
SCALE:	1:1	
B	UNLESS OTHERWISE SPECIFIED:	
	UNITS ARE IN INCHES [mm]	
	TOLERANCES: .XX:±.01 .XXX:±.005	
	ANGLES: X°:±3° X.X°:±0.5°	



26/23



2X 6-32 UNC-2B ∇ .19 MIN
180° APART ON ϕ 1.274



REPRESENTATIVE OF MODEL NUMBER(S):
3604

