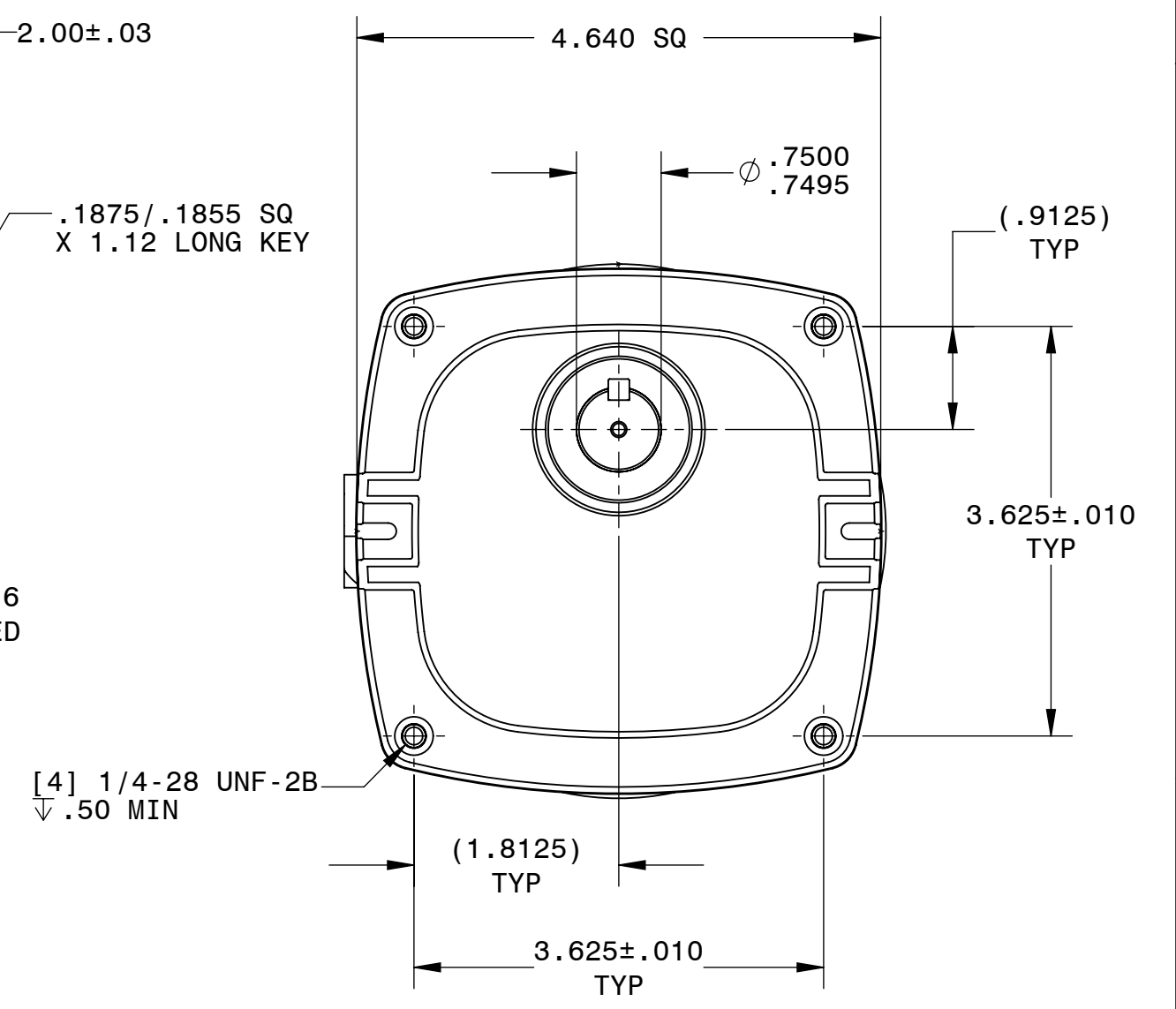
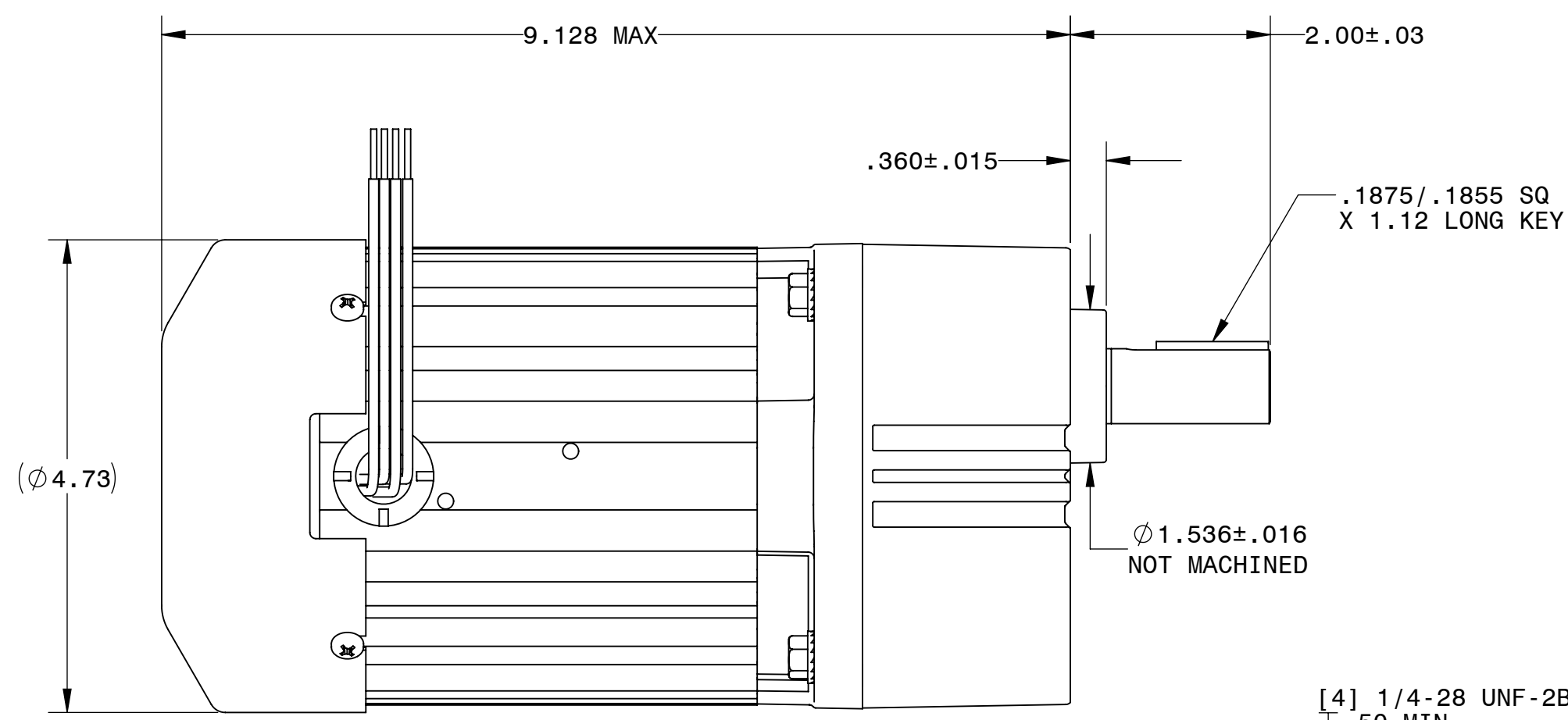
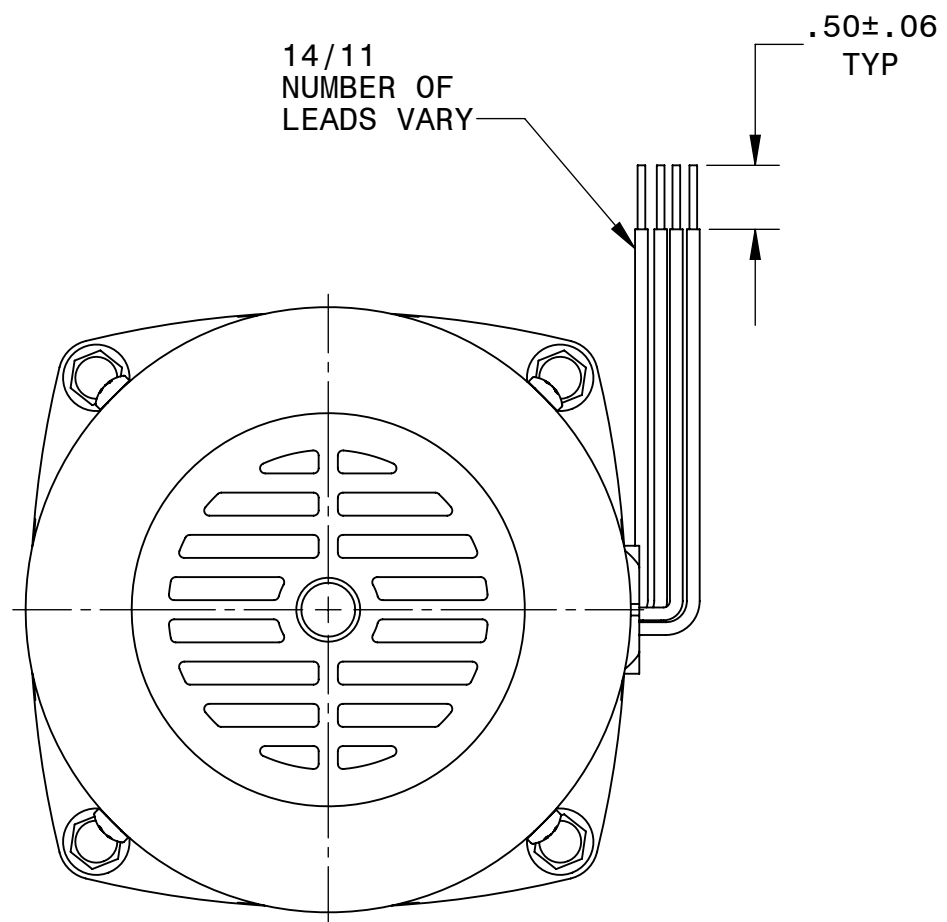


DESCRIPTION:
GEARMOTOR 42R5BFSI-FX

SHEET: 1/1	UNLESS OTHERWISE SPECIFIED:
SCALE: 2:3	UNITS ARE IN INCHES [mm]
C	TOLERANCES: .XX:±.01 .XXX:±.005
	ANGLES: X°:±3° X.X°:±0.5°



REPRESENTATIVE OF MODEL NUMBER(S):

0649 0650 0651 0652 0653 0654 0655 5635 5636 5637 5639

