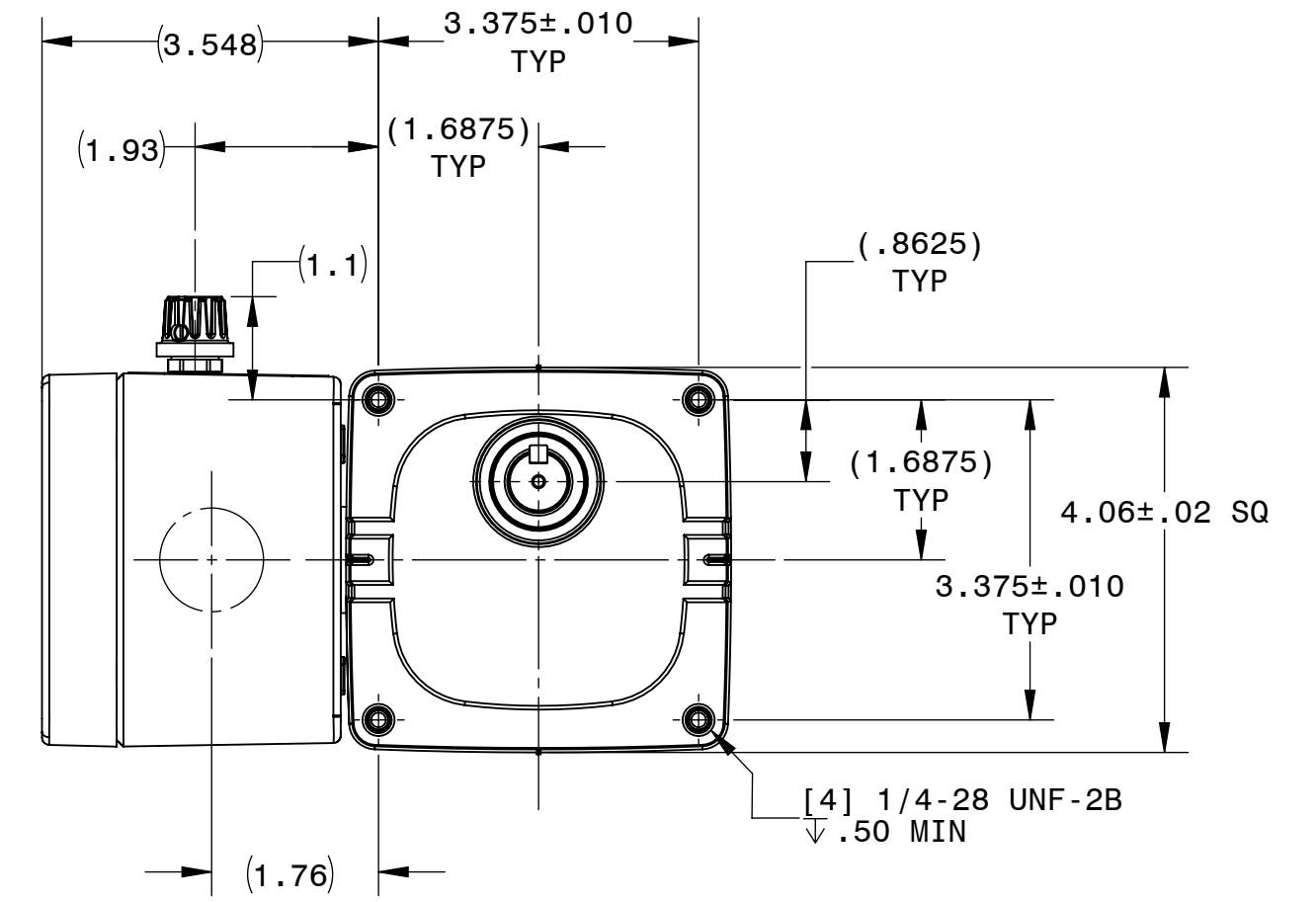
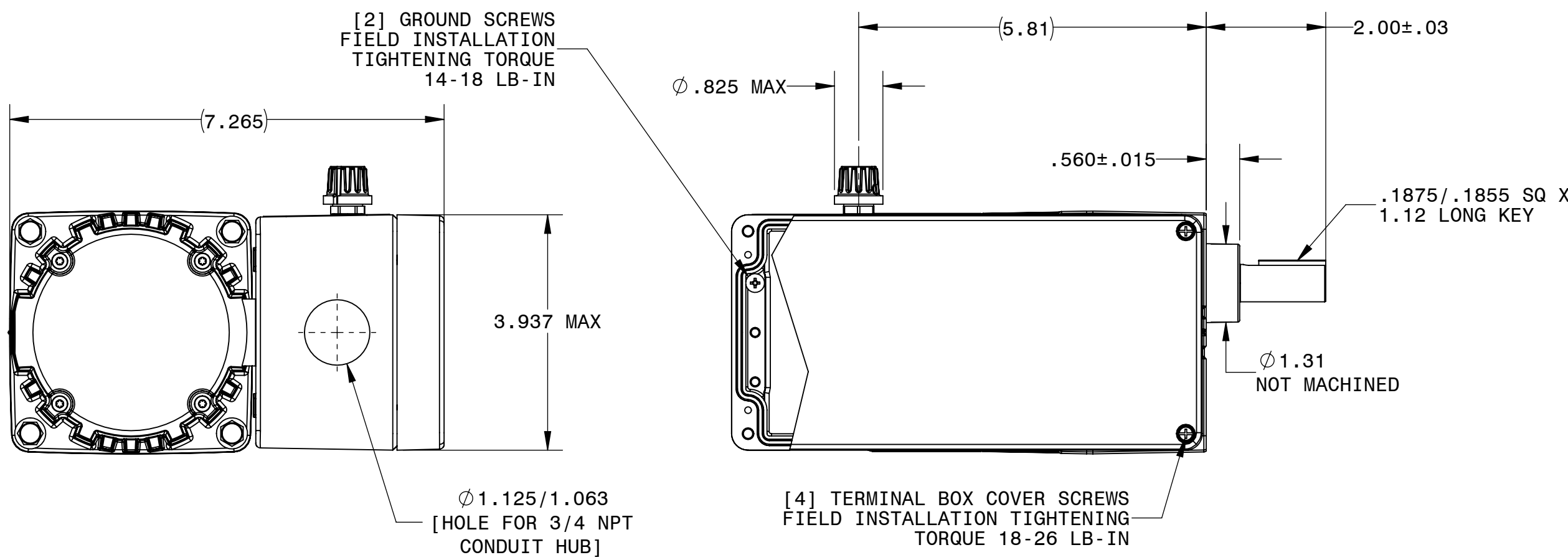
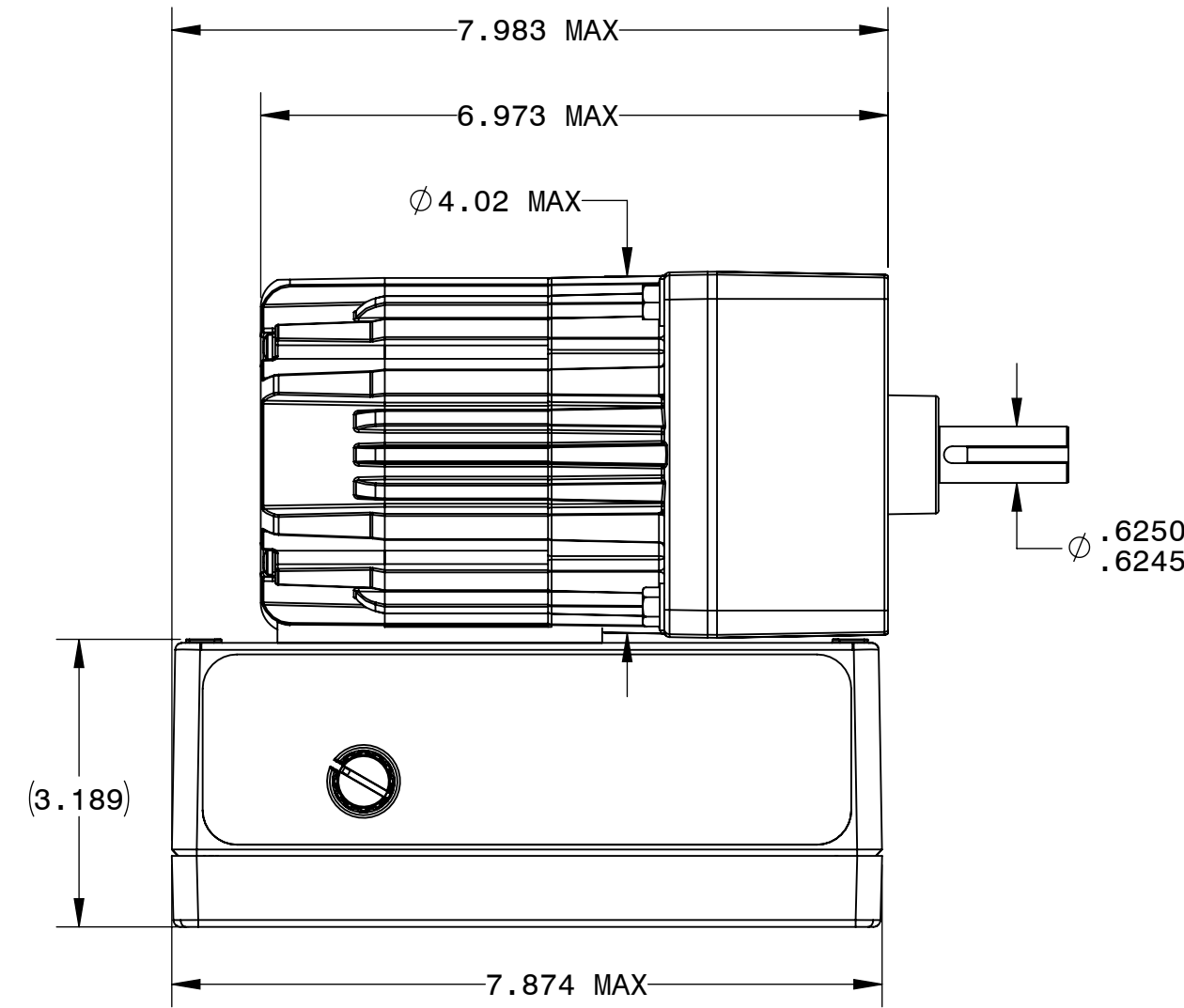


DESCRIPTION: GEARMOTOR 34B4BEBL/SR-WX	
SHEET: 1/1	UNLESS OTHERWISE SPECIFIED:
SCALE: 1:2	UNITS ARE IN INCHES [mm]
C	TOLERANCES: .XX:±.01 .XXX:±.005
	ANGLES: X°:±3° X.X°:±0.5°



REPRESENTATIVE OF MODEL NUMBER(S):

3279 3280 3282 3283 3284 3285 3286 3287 3288 3290 3292 3293 3879 3880 3882 3883 3884 3885 3886 3887 3888 3890 3892 3893

