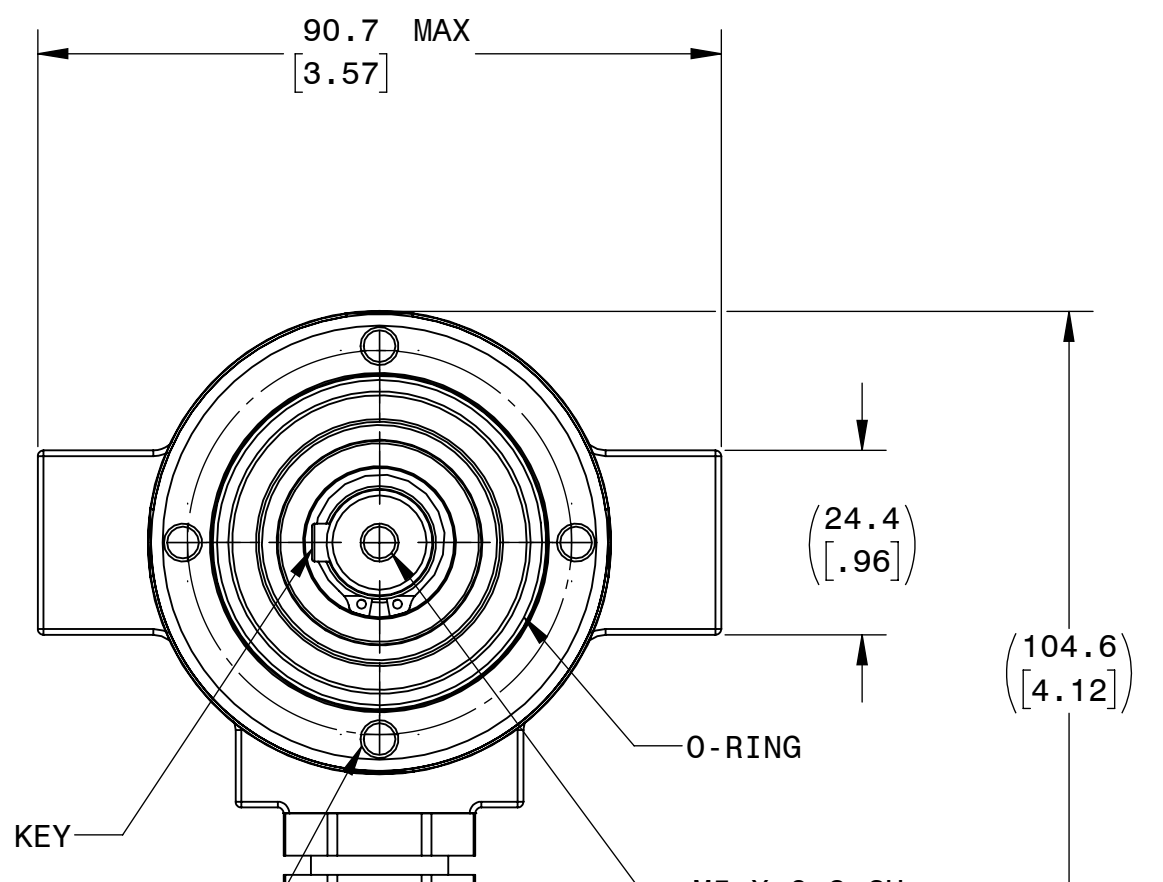
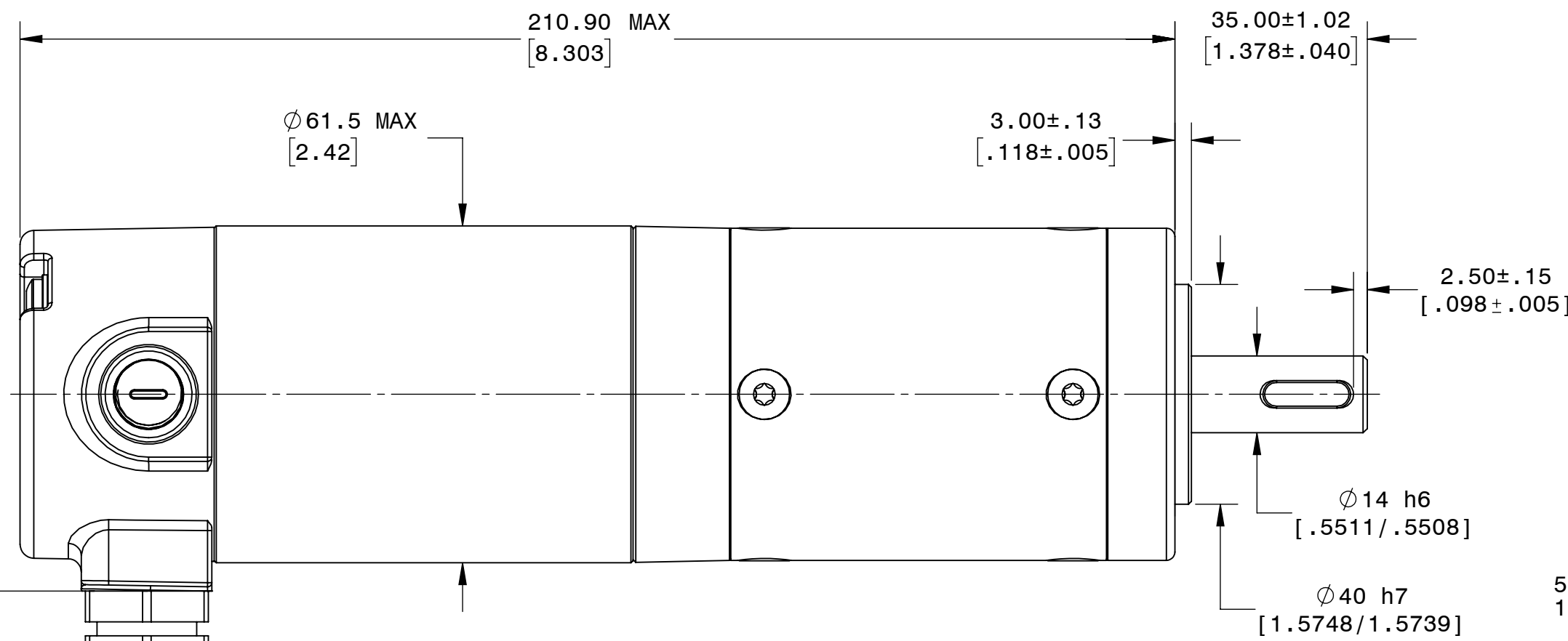


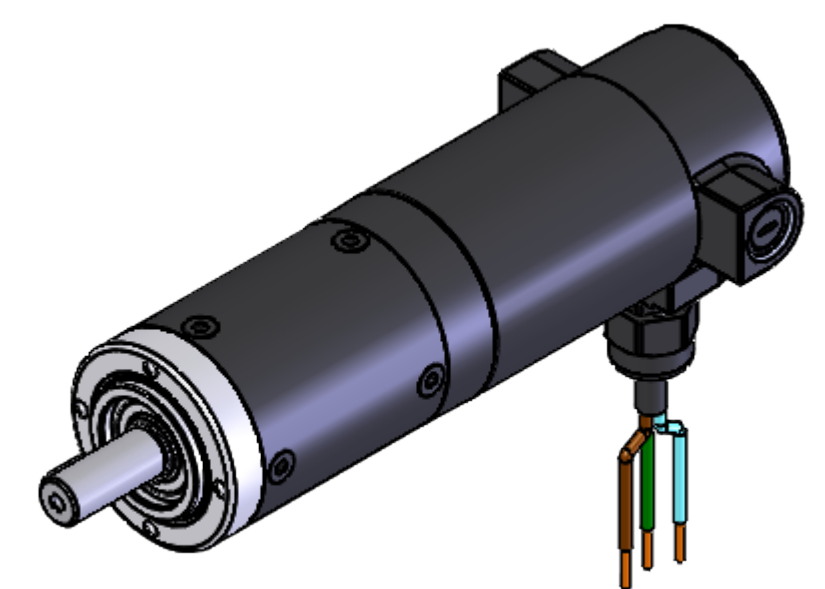
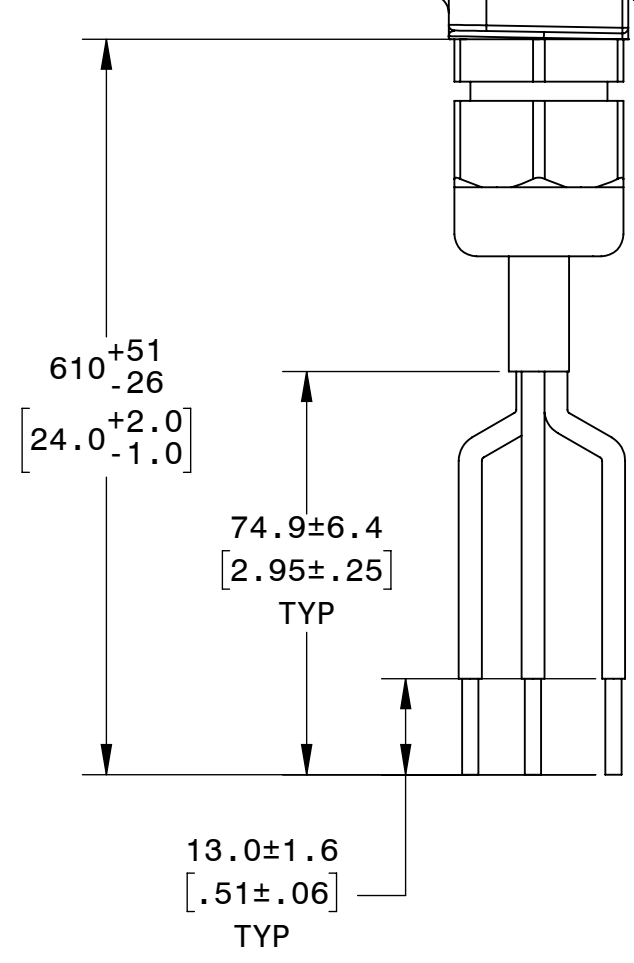
DESCRIPTION:
GEARMOTOR 24A4BEPM-60P3 METRIC

SHEET: 1/1	UNLESS OTHERWISE SPECIFIED:
SCALE: 1:1	UNITS ARE IN mm [INCHES]
C	ANGLES: X°:±3° X.X°:±0.5°



5MM SQ X
16MM LONG KEY

4X M5 X 0.8-6H
▽8.00 [.315] MIN
90°±1° APART
ON Ø52.00 [2.047] B.C.



REPRESENTATIVE OF MODEL NUMBER(S):
7209 7211 7409 7411