

Mechanically held lighting contactor, Contactor amp rating 20Amp
 0NC _ 4NO poles, 208-240V 50/60HZ coil, Non-combination type,
 Encl NEMA type 4X 304 S-steel Water/dust tight noncorrosive



Figure similar

General technical data	
Weight [lb]	8 lb
Height x Width x Depth [in]	16 × 13 × 6 in
Protection against electrical shock	NA for enclosed products
Installation altitude [ft] at height above sea level maximum	6560 ft
Country of origin	USA

Contactor	
Number of NO contacts for main contacts	4
Number of NC contacts for main contacts	0
Operating voltage for main current circuit at AC at 60 Hz maximum	600 V
Contact rating of the main contacts of lighting contactor	
<ul style="list-style-type: none"> at tungsten (1 pole per 1 phase) rated value 	20A @250V 1p 1ph
<ul style="list-style-type: none"> at tungsten (2 poles per 1 phase) rated value 	20A @250V 2p 1ph
<ul style="list-style-type: none"> at tungsten (3 poles per 3 phases) rated value 	20A @250V 3p 3ph

• at ballast (1 pole per 1 phase) rated value	20A @347V 1p 1ph
• at ballast (2 poles per 1 phase) rated value	20A @600V 2p 1ph
• at ballast (3 poles per 3 phases) rated value	20A @600V 3p 3ph
• at resistive load (1 pole per 1 phase) rated value	30A @347V 1p 1ph
• at resistive load (2 poles per 1 phase) rated value	30A @600V 2p 1ph
• at resistive load (3 poles per 3 phases) rated value	30A @600V 3p 3ph

Auxiliary contact

Number of NC contacts for auxiliary contacts	0
Number of NO contacts for auxiliary contacts	0
Number of total auxiliary contacts maximum	4
Contact rating of auxiliary contacts of contactor according to UL	NA

Coil

Type of voltage of the control supply voltage	AC
Control supply voltage	
• at DC rated value	0 ... 0 V
• at AC at 60 Hz rated value	208 ... 240 V
• at AC at 50 Hz rated value	208 ... 240 V
Apparent pick-up power of magnet coil at AC	600 V·A
Apparent holding power of magnet coil at AC	6 V·A
Operating range factor control supply voltage rated value of magnet coil	0.85 ... 1.1

Enclosure

Degree of protection NEMA rating of the enclosure	NEMA 4X 304 stainless steel enclosure
Design of the housing	Dust-tight, watertight & corrosion resistant

Mounting/wiring

(mounting position)	Vertical
(mounting type)	Surface mounting and installation
Type of electrical connection for supply voltage line-side	Screw-type terminals
Tightening torque [lbf·in] for supply	18 ... 18 lbf·in
Type of connectable conductor cross-sections at line-side at AWG conductors single or multi-stranded	2x (18 ... 10 AWG)
Temperature of the conductor for supply maximum permissible	75 °C
Material of the conductor for supply	CU
Type of electrical connection for load-side outgoing feeder	Screw-type terminals
Tightening torque [lbf·in] for load-side outgoing feeder	18 ... 18 lbf·in

Type of connectable conductor cross-sections at AWG conductors for load-side outgoing feeder single or multi-stranded	2x (18 ... 10 AWG)
Temperature of the conductor for load-side outgoing feeder maximum permissible	75 °C
Material of the conductor for load-side outgoing feeder	CU
Type of electrical connection of magnet coil	Screw-type terminals
Tightening torque [lbf-in] at magnet coil	18 ... 18 lbf-in
Type of connectable conductor cross-sections of magnet coil at AWG conductors single or multi-stranded	2x (18 ... 10 AWG)
Temperature of the conductor at magnet coil maximum permissible	75 °C
Material of the conductor at magnet coil	CU

Short-circuit current rating

Design of the fuse link for short-circuit protection of the main circuit required	none
Design of the short-circuit trip	Thermal magnetic circuit breaker
Maximum short-circuit current breaking capacity (Icu) <ul style="list-style-type: none"> • at 240 V • at 480 V • at 600 V 	5 kA 5 kA 5 kA

Further information

Industrial Controls - Product Overview (Catalogs, Brochures,...)

www.usa.siemens.com/iccatalog

Industry Mall (Online ordering system)

<https://mall.industry.siemens.com/mall/en/us/Catalog/product?mlfb=US2:CLMSB04240>

Service&Support (Manuals, Certificates, Characteristics, FAQs,...)

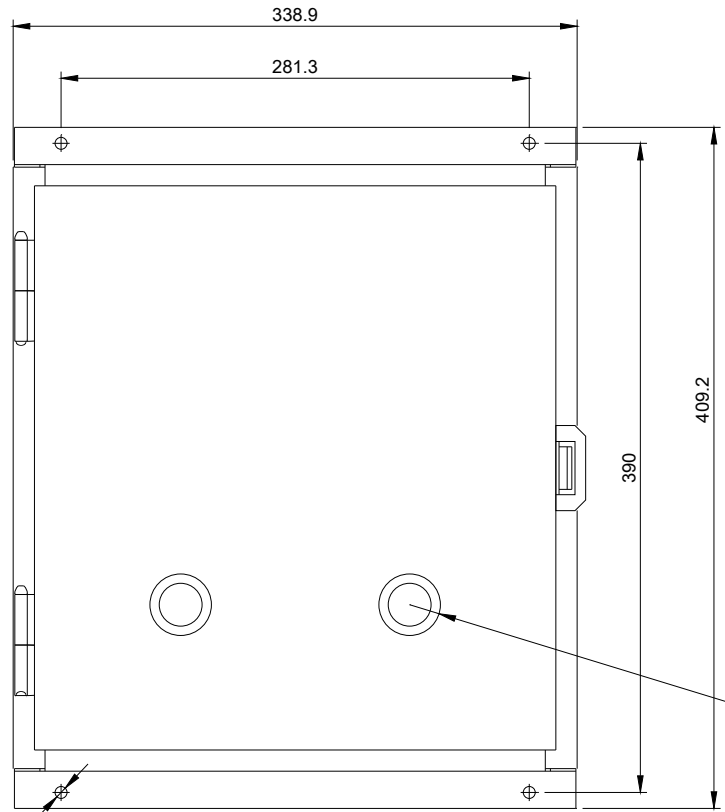
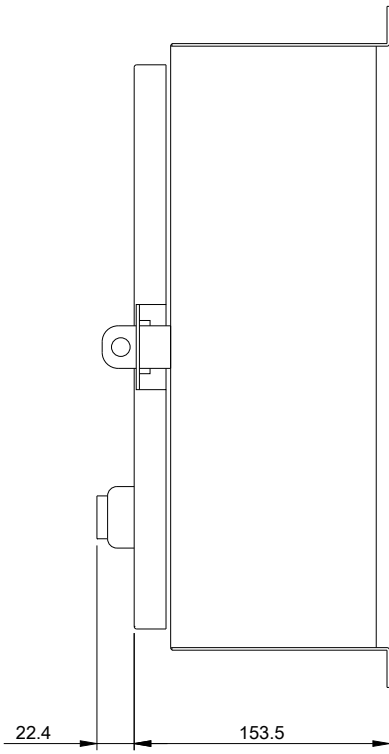
<https://support.industry.siemens.com/cs/US/en/ps/US2:CLMSB04240>

Image database (product images, 2D dimension drawings, 3D models, device circuit diagrams, EPLAN macros, ...)

http://www.automation.siemens.com/bilddb/cax_de.aspx?mlfb=US2:CLMSB04240&lang=en

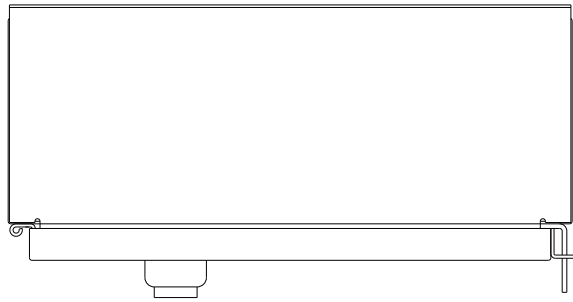
Certificates/approvals

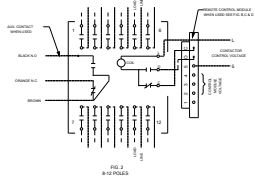
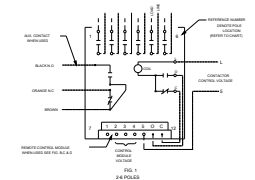
<https://support.industry.siemens.com/cs/US/en/ps/US2:CLMSB04240/certificate>



RESERVE FOR
STARTER

(4) M7.5 HOLES





CONTACT PAIR LOCATION CHART

PAIR	LOCATION
1	1 & 2
2	3 & 4
3	5 & 6
4	7 & 8
5	9 & 10
6	11 & 12

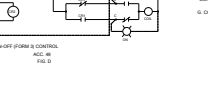
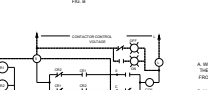
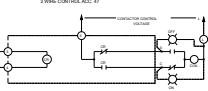
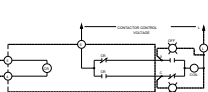
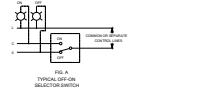
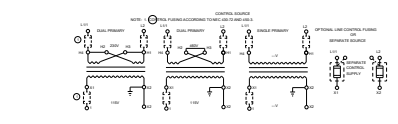
AUXILIARY CONTACT RATINGS
 ACC. CLAMPER (SPST)
 ACC. CLAMPER (SPDT)

MAIN CONTACT MAINLINE VOLTAGE RATINGS OPEN OR CLOSED

POLES	1 FOR 1/2 AC	2 FOR 1/2 AC	3 FOR 1/2 AC	4 FOR 1/2 AC
250V AC	250 AC	250 AC	250 AC	250 AC
277V AC	277 AC	277 AC	277 AC	277 AC
380V AC	380 AC	380 AC	380 AC	380 AC

SPST IS SUITABLE FOR USE IN A CIRCUIT CAPABLE OF DEVELOPING NOT MORE THAN THE INDICATED CURRENT AT THE NOMINAL VOLTAGE. THESE CURRENT RATING VALUES ARE FOR A 50 AMP CIRCUIT BREAKER WITH AN INTERRUPTING RATING OF NOT LESS THAN VALUES SHOWN.

AMPERES	VOLTS
2500	250
1500	480
1000	600



CONNECTIONS TO CONTROL MODULES

MODULE TERMINAL	CONNECT TO
1	NOT USED
2	CONTROL STATION FOR ACC. 47
3	CONTROL STATION FOR ACC. 47
4	MODULE CONTROL VOLTAGE
5	CONTROL STATION FOR ACC. 47
6	CONTROL STATION FOR ACC. 47
7	CONTROL STATION FOR ACC. 47
8	CONTROL STATION FOR ACC. 47
9	CONTROL STATION FOR ACC. 47
10	CONTROL STATION FOR ACC. 47
11	CONTROL STATION FOR ACC. 47
12	CONTROL STATION FOR ACC. 47

* FOR 24 POLE CONTROL MODULES CONNECT TO TERMINAL 4 TO NEGATIVE (-)

- GENERAL NOTES**
- WHEN CONTACTOR & LINE VOLTAGE ARE THE SAME, THE CONTACTOR CONTROL VOLTAGE LINE MAY BE SHIPPED FROM THE LINE POLES OF THE CONTACTOR SWITCH.
 - MAIN CONTACTS ARE SHOWN IN OPEN POSITION WITH CONTROL LINE DE-ENERGIZED. SEE RATINGS BELOW SWITCH (SHIPPED WITH CONTACTS CLOSED).
 - LINE & LINE TERMINALS ARE INTERCHANGEABLE.
 - CONTACTS ARE SINGLE THROW DOUBLE BREAK, WITH INDICATEDLY ENHANCED SINGLE COIL OPERATOR MECHANICAL FULL INCH OPERATOR & CLOSED POSITIONERS.
 - CUSTOMER CONNECTIONS TO LINE & LOAD WILL ACCEPT 90° BEND TO TERMINAL CENTER LINE. TORQUE LINE POLE CONNECTION TO 18 IN. 8.
 - CUSTOMER CONNECTIONS TO ELECTRONIC MODULE (ACC. 47) AS SHOWN WILL ACCEPT 90° BEND TO CENTER LINE. TORQUE LINE POLE CONNECTION TO 18 IN. 8.
 - CONTROL MODULE VOLTAGE SUPPLIED BY CUSTOMER.

24306100401

last modified:

05/20/2019