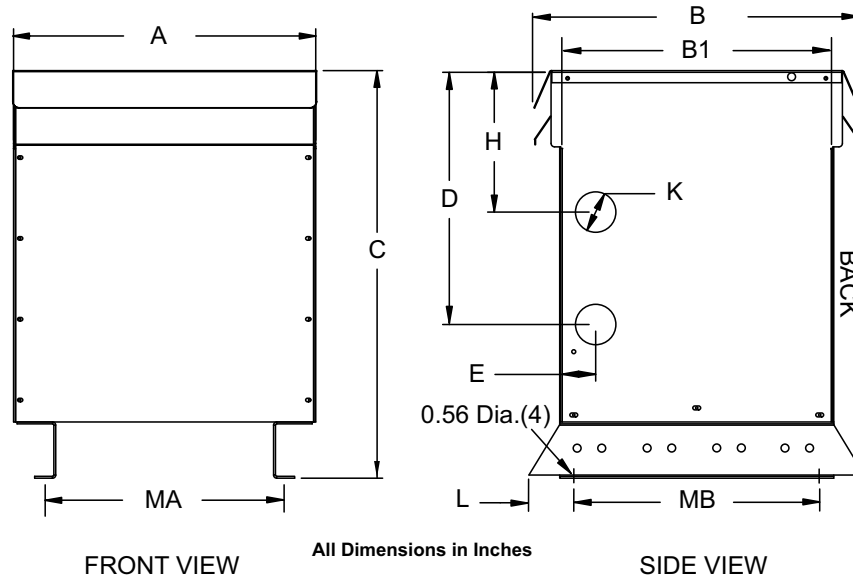


# GENERAL INFORMATION

## NEMA 3R ENCLOSURE DIMENSIONAL DRAWINGS

### 'NH' SERIES ENCLOSURES



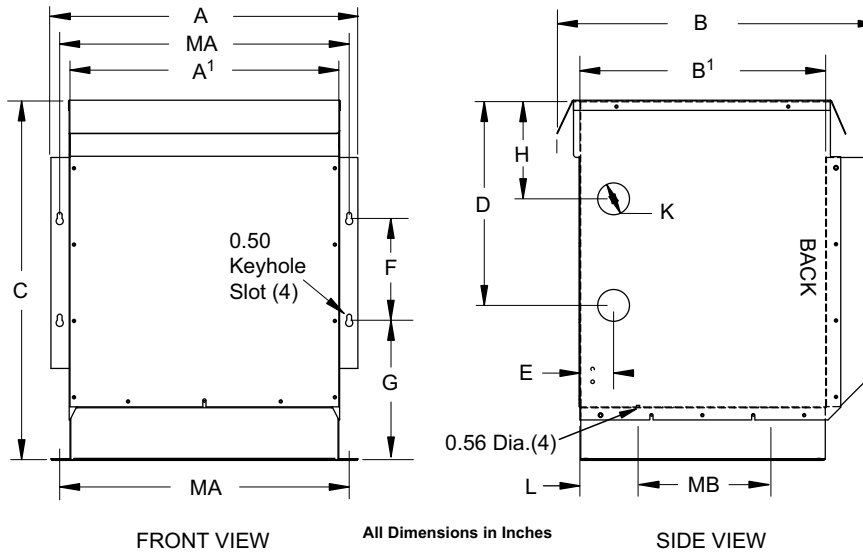
| Case Style | Dimensions in Inches |       |                |       |       |      |       |                |      |       |       |
|------------|----------------------|-------|----------------|-------|-------|------|-------|----------------|------|-------|-------|
|            | A                    | B     | B <sup>1</sup> | C     | D     | E    | H     | K <sup>1</sup> | L    | MA    | MB    |
| NH3        | 26.00                | 25.00 | 24.00          | 38.00 | 24.00 | 2.50 | 14.00 | 2.00 X 3.00    | 2.50 | 21.50 | 19.00 |
| NH4        | 32.00                | 29.50 | 28.50          | 41.00 | 24.00 | 2.50 | 12.00 | 2.00 X 3.00    | 2.50 | 23.50 | 23.50 |

Note: Mounting hole dimension is 0.56" diameter.

OPTIONAL NEMA 4, 12 AND STAINLESS STEEL ENCLOSURES ARE AVAILABLE.

<sup>1</sup> Knockout (K) sizes are actual diameters of knockout, not conduit sizes. Refer to table on page 260 for conduit sizes.

SEE PAGE 262 & 263 FOR DETAILS.



| Case Style | Dimensions in Inches |                |       |                |       |       |      |      |       |      |                |      |       |      |
|------------|----------------------|----------------|-------|----------------|-------|-------|------|------|-------|------|----------------|------|-------|------|
|            | A                    | A <sup>1</sup> | B     | B <sup>1</sup> | C     | D     | E    | F    | G     | H    | K <sup>1</sup> | L    | MA    | MB   |
| NH5        | 19.40                | 16.75          | 20.20 | 15.00          | 21.50 | 12.00 | 2.00 | 7.00 | 7.81  | 6.00 | 1.38 X 1.75    | 2.80 | 18.00 | 9.00 |
| NH6        | 23.90                | 21.50          | 25.00 | 19.50          | 28.75 | 17.00 | 2.00 | 8.00 | 10.29 | 8.50 | 1.75 X 2.50    | 5.20 | 22.75 | 9.00 |

Note: Mounting hole dimension is 0.56" diameter.

OPTIONAL NEMA 4, 12 AND STAINLESS STEEL ENCLOSURES ARE AVAILABLE.

<sup>1</sup> Knockout (K) sizes are actual diameters of knockout, not conduit sizes. Refer to table on page 260 for conduit sizes.

SEE PAGE 262 & 263 FOR DETAILS.

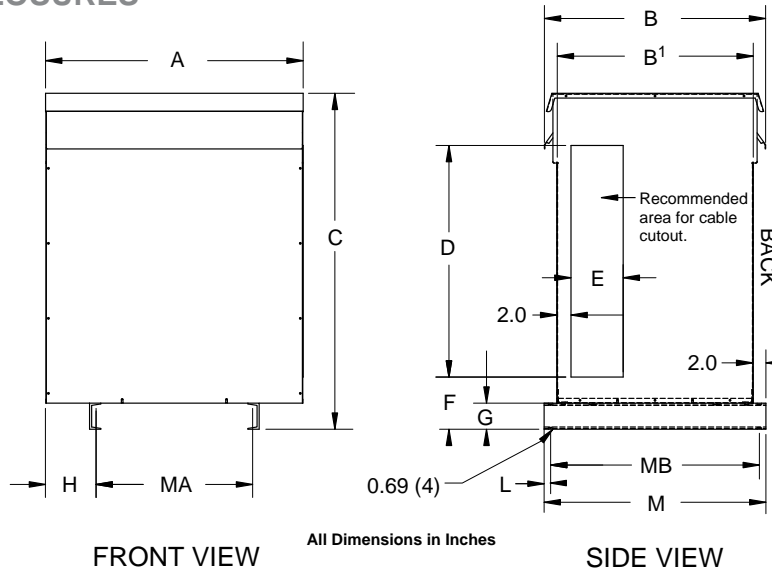
GENERAL INFORMATION



# GENERAL INFORMATION

## NEMA 3R ENCLOSURE DIMENSIONAL DRAWINGS

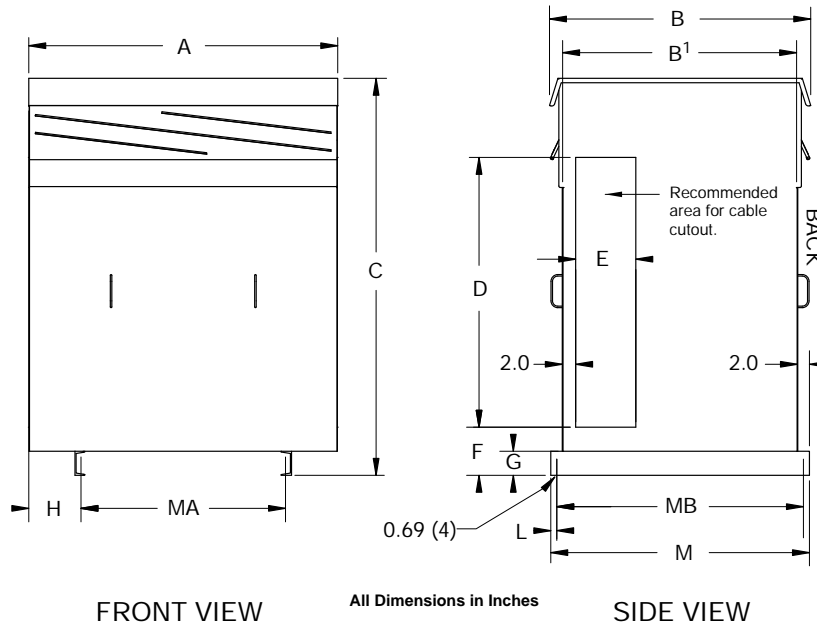
### 'NJ' SERIES ENCLOSURES



| Case Style | Dimensions in Inches |       |       |       |       |      |      |      |       |      |       |       |       |
|------------|----------------------|-------|-------|-------|-------|------|------|------|-------|------|-------|-------|-------|
|            | A                    | B     | B'    | C     | D     | E    | F    | G    | H     | L    | M     | MA    | MB    |
| NJ1        | 39.50                | 34.00 | 30.00 | 51.50 | 35.50 | 6.00 | 8.00 | 4.00 | 7.75  | 1.00 | 34.00 | 24.00 | 32.00 |
| NJ2        | 48.50                | 38.40 | 34.00 | 59.00 | 40.00 | 8.00 | 8.00 | 4.00 | 10.50 | 1.00 | 38.00 | 27.50 | 36.00 |
| NJ4        | 32.00                | 32.50 | 28.50 | 50.00 | 34.00 | 8.00 | 8.00 | 4.00 | 5.00  | 1.00 | 32.50 | 22.00 | 30.50 |

Note: Mounting hole dimension is 0.69" diameter.

OPTIONAL NEMA 4, 12 AND STAINLESS STEEL ENCLOSURES ARE AVAILABLE.  
SEE PAGE 262 & 263 FOR DETAILS.



| Case Style | Dimensions in Inches |       |       |       |       |       |      |      |       |      |       |       |       |
|------------|----------------------|-------|-------|-------|-------|-------|------|------|-------|------|-------|-------|-------|
|            | A                    | B     | B'    | C     | D     | E     | F    | G    | H     | L    | M     | MA    | MB    |
| NJ3        | 51.50                | 43.40 | 39.00 | 66.00 | 47.00 | 10.00 | 8.00 | 4.00 | 8.75  | 1.00 | 43.00 | 34.00 | 41.00 |
| NJ6        | 64.00                | 44.40 | 40.00 | 71.00 | 50.00 | 11.50 | 9.00 | 5.00 | 12.00 | 1.00 | 44.00 | 40.00 | 42.00 |
| NJ7        | 64.00                | 51.40 | 47.00 | 75.00 | 54.00 | 11.50 | 9.00 | 5.00 | 12.00 | 1.00 | 51.00 | 40.00 | 49.00 |

Note: Mounting hole dimension is 0.69" diameter.

OPTIONAL NEMA 4, 12 AND STAINLESS STEEL ENCLOSURES ARE AVAILABLE.  
SEE PAGE 262 & 263 FOR DETAILS.

GENERAL INFORMATION

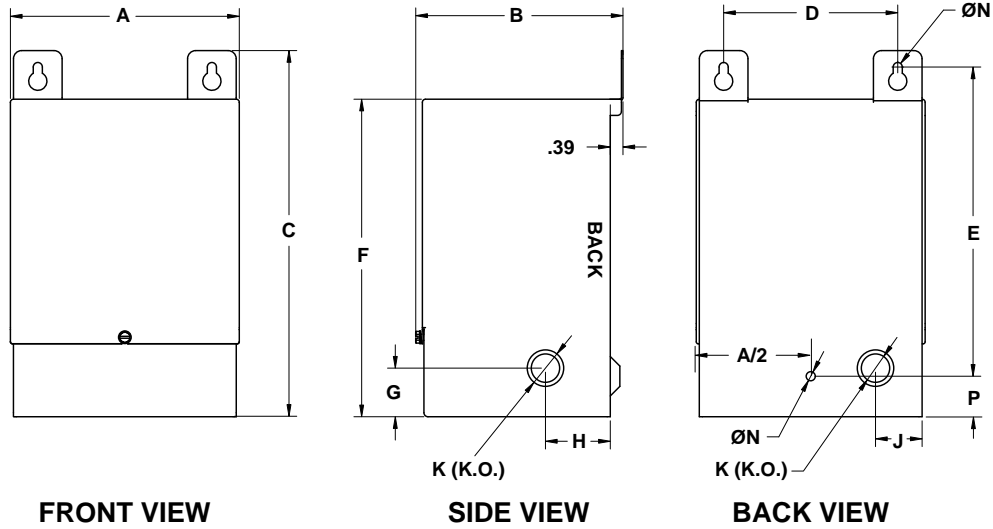


# GENERAL INFORMATION

## NEMA 3R ENCLOSURE DIMENSIONAL DRAWINGS

### 'NQ' SERIES ENCLOSURES

**Figure 1**

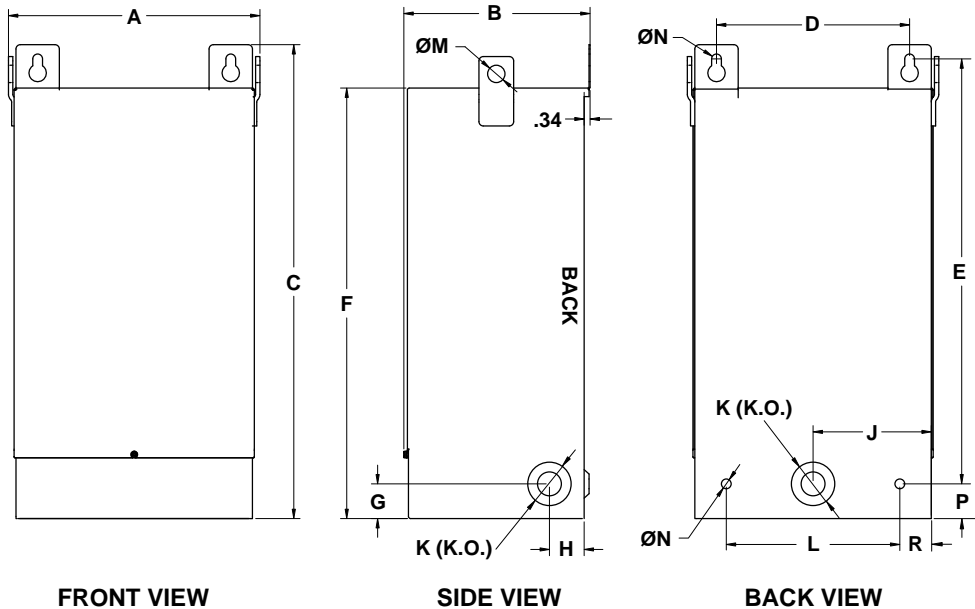


| Case Style | Fig # | Dimensions in Inches |       |       |       |       |       |       |      |      |                    |       |      |      |      |      |
|------------|-------|----------------------|-------|-------|-------|-------|-------|-------|------|------|--------------------|-------|------|------|------|------|
|            |       | A                    | B     | C     | D     | E     | F     | G     | H    | J    | K <sup>1</sup>     | L     | M    | N    | P    | R    |
| NQ0        | 1     | 3.75                 | 5.25  | 7.25  | 2.50  | 5.63  | 6.25  | 1.50  | 2.00 | --   | 0.88               | --    | --   | 0.22 | 1.25 | --   |
| NQ1        | 1     | 4.50                 | 5.75  | 7.25  | 3.13  | 5.63  | 6.25  | 1.50  | 2.00 | 0.81 | 0.88               | --    | --   | 0.22 | 1.25 | --   |
| NQ2        | 1     | 5.00                 | 4.75  | 9.25  | 3.88  | 7.75  | 8.25  | 1.50  | 2.00 | 1.00 | 0.88 X 1.13 X 1.38 | --    | --   | 0.22 | 1.25 | --   |
| NQ3        | 1     | 5.88                 | 5.50  | 10.50 | 4.13  | 8.25  | 9.00  | 1.50  | 2.00 | 1.25 | 0.88 X 1.13 X 1.38 | --    | --   | 0.28 | 1.25 | --   |
| NQ4        | 1     | 7.00                 | 6.50  | 11.75 | 5.38  | 9.50  | 10.25 | 1.75  | 2.00 | 1.50 | 0.88 X 1.13 X 1.38 | --    | --   | 0.28 | 1.25 | --   |
| NQ5        | 2     | 10.00                | 7.75  | 17.25 | 7.38  | 15.38 | 15.25 | 2.375 | 2.00 | 4.00 | 1.13 X 1.38        | 6.00  | 0.75 | 0.44 | 1.25 | 1.68 |
| NQ6A       | 2     | 12.25                | 9.25  | 17.63 | 9.38  | 14.88 | 15.56 | 2.00  | 2.00 | 5.00 | 1.38 X 2.50        | 8.00  | 0.75 | 0.44 | 2.00 | 1.68 |
| NQ6        | 2     | 12.25                | 9.25  | 20.88 | 9.38  | 18.13 | 18.88 | 2.00  | 2.00 | 5.00 | 1.38 X 2.50        | 8.00  | 0.75 | 0.44 | 2.00 | 1.68 |
| NQ7        | 2     | 14.50                | 10.75 | 21.38 | 11.63 | 18.63 | 19.38 | 2.00  | 2.00 | 6.00 | 1.38 X 2.50        | 10.00 | 0.75 | 0.44 | 2.00 | 1.81 |
| NQ8        | 2     | 14.50                | 10.75 | 27.38 | 11.13 | 24.50 | 24.88 | 2.00  | 2.00 | 6.00 | 1.38 X 2.50        | 10.00 | 0.75 | 0.56 | 2.00 | 1.81 |

<sup>1</sup> Knockout (K) sizes are actual diameters of knockout, not conduit sizes. Refer to table on page 260 for conduit sizes.

OPTIONAL STAINLESS STEEL ENCLOSURES ARE AVAILABLE.

**Figure 2**



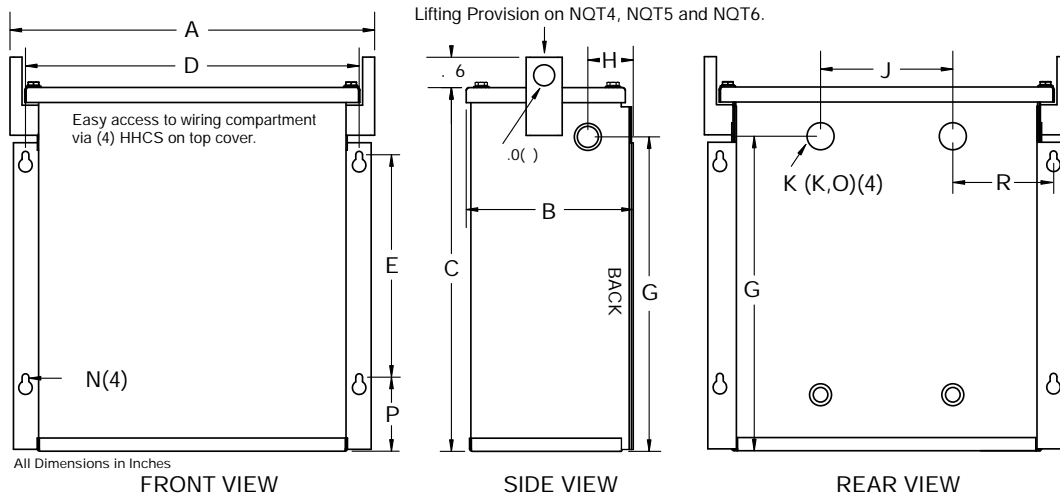
GENERAL INFORMATION



# GENERAL INFORMATION

## NEMA 3R ENCLOSURE DIMENSIONAL DRAWINGS

### 'NQT & NQS' SERIES ENCLOSURES

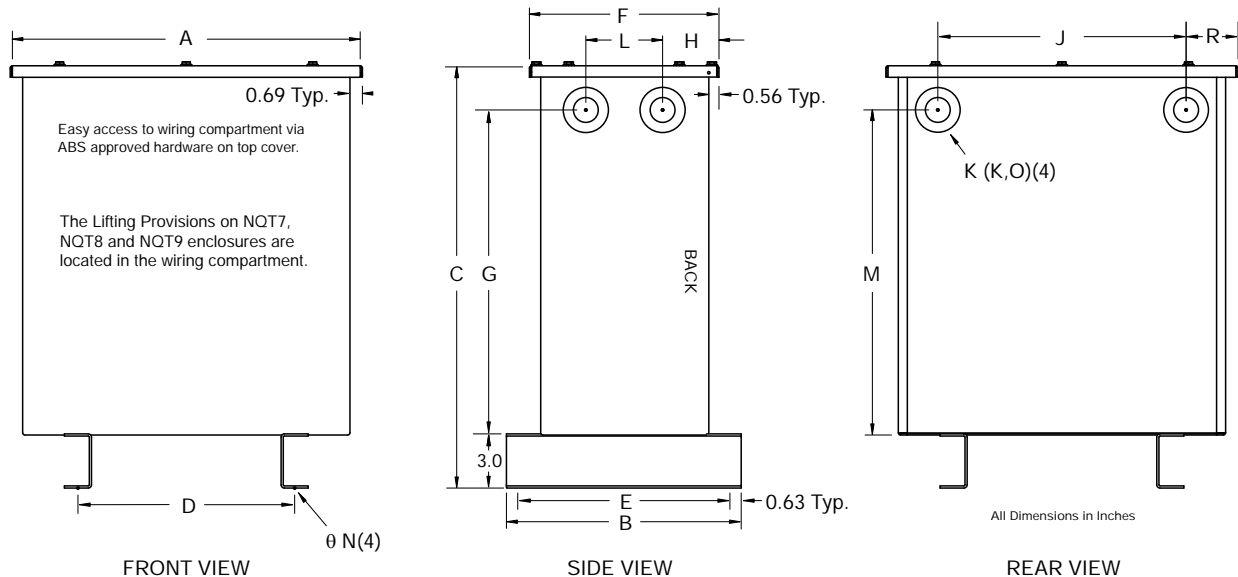


**Figure 1**

| Case Style | Fig # | Dimensions in Inches |       |       |       |       |       |       |      |       |                |      |       |      |      |      |  |
|------------|-------|----------------------|-------|-------|-------|-------|-------|-------|------|-------|----------------|------|-------|------|------|------|--|
|            |       | A                    | B     | C     | D     | E     | F     | G     | H    | J     | K <sup>1</sup> | L    | M     | N    | P    | R    |  |
| NQT2       | 1     | 9.38                 | 4.94  | 8.63  | 8.38  | 4.00  | -     | 7.06  | 2.38 | 4.50  | 0.88 X 1.13    | -    | -     | 0.28 | 1.81 | 2.44 |  |
| NQT3       | 1     | 12.38                | 5.44  | 11.13 | 11.38 | 6.50  | -     | 9.50  | 2.38 | 5.50  | 0.88 X 1.13    | -    | -     | 0.28 | 1.81 | 3.44 |  |
| NQT4       | 1     | 15.19                | 6.94  | 15.13 | 13.88 | 9.25  | -     | 13.56 | 1.88 | 5.50  | 0.88 X 1.13    | -    | -     | 0.28 | 3.06 | 4.19 |  |
| NQT5       | 1     | 16.63                | 10.25 | 16.63 | 14.50 | 8.25  | -     | 13.88 | 2.69 | 10.00 | 1.38 X 1.75    | -    | -     | 0.41 | 4.50 | 2.25 |  |
| NQT6       | 1     | 19.25                | 10.44 | 16.63 | 17.50 | 8.25  | -     | 13.56 | 2.69 | 12.50 | 1.38 X 2.50    | -    | -     | 0.41 | 4.50 | 2.50 |  |
| NQT7       | 2     | 20.25                | 13.00 | 23.38 | 12.00 | 11.75 | 11.38 | 17.94 | 2.50 | 13.75 | 1.38 X 2.50    | 4.25 | 17.94 | 0.56 | -    | 2.13 |  |
| NQT8       | 2     | 22.25                | 13.00 | 28.38 | 14.00 | 11.75 | 11.38 | 21.94 | 2.50 | 15.75 | 1.38 X 2.50    | 4.25 | 21.94 | 0.56 | -    | 2.13 |  |
| NQT9       | 2     | 31.25                | 16.00 | 29.88 | 18.00 | 14.75 | 14.13 | 23.94 | 2.75 | 22.75 | 2.00 X 3.00    | 6.50 | 23.94 | 0.56 | -    | 3.13 |  |
| NQT9A      | 2     | 34.63                | 18.50 | 36.75 | 22.50 | 17.25 | 16.50 | 30.38 | 4.69 | 27.25 | 2.00 X 3.00    | 6.50 | 30.38 | 0.56 | -    | 3.31 |  |
| NQS10      | 2     | 21.88                | 18.50 | 31.00 | 13.50 | 17.25 | 16.50 | 24.63 | 4.91 | 13.13 | 1.75 X 2.50    | 6.50 | 24.63 | 0.56 | -    | 4.00 |  |
| NQT10      | 3     | 38.44                | 26.00 | 39.13 | 23.50 | 24.00 | 20.80 | 32.50 | 6.40 | 24.75 | 2.50 X 3.63    | 8.00 | 32.50 | 0.69 | -    | 6.84 |  |
| NQT11      | 3     | 37.38                | 30.00 | 45.63 | 23.50 | 28.00 | 22.00 | 39.00 | 6.95 | 24.75 | 2.50 X 3.63    | 8.00 | 39.00 | 0.69 | -    | 6.31 |  |

<sup>1</sup> Knockout (K) sizes are actual diameters of knockout, not conduit sizes. Refer to table on page 260 for conduit sizes.

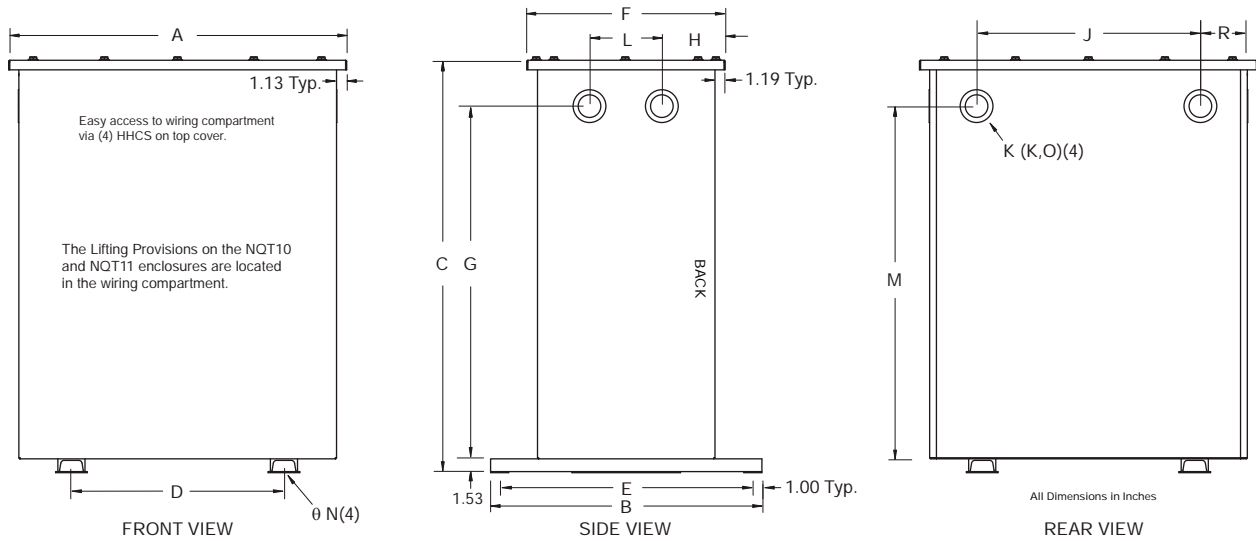
OPTIONAL STAINLESS STEEL ENCLOSURES ARE AVAILABLE.



**Figure 2**

# GENERAL INFORMATION

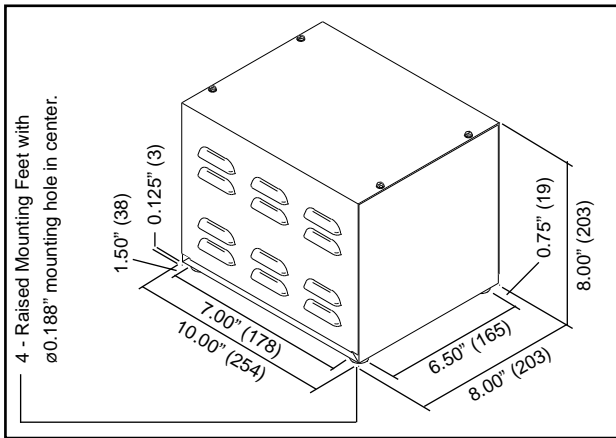
## NEMA 3R ENCLOSURE DIMENSIONAL DRAWINGS CONTINUED 'NQT & NQS' SERIES ENCLOSURES



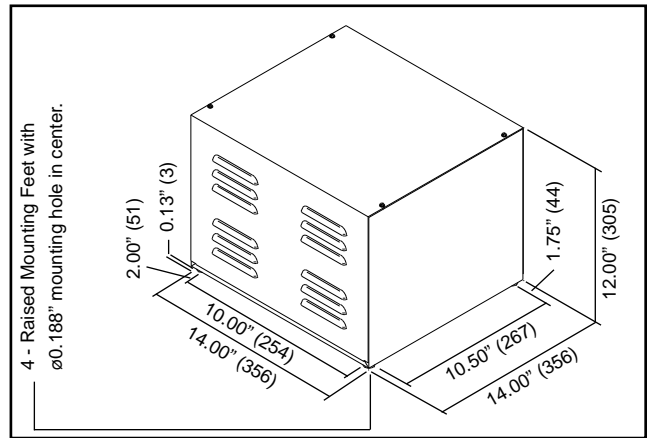
**Figure 3**

## NEMA 2 ENCLOSURE DIMENSIONAL DRAWINGS

### 'N1' SERIES ENCLOSURE



### 'N2' SERIES ENCLOSURE



## Conduit Size vs. Actual Knockout Size Reference Table

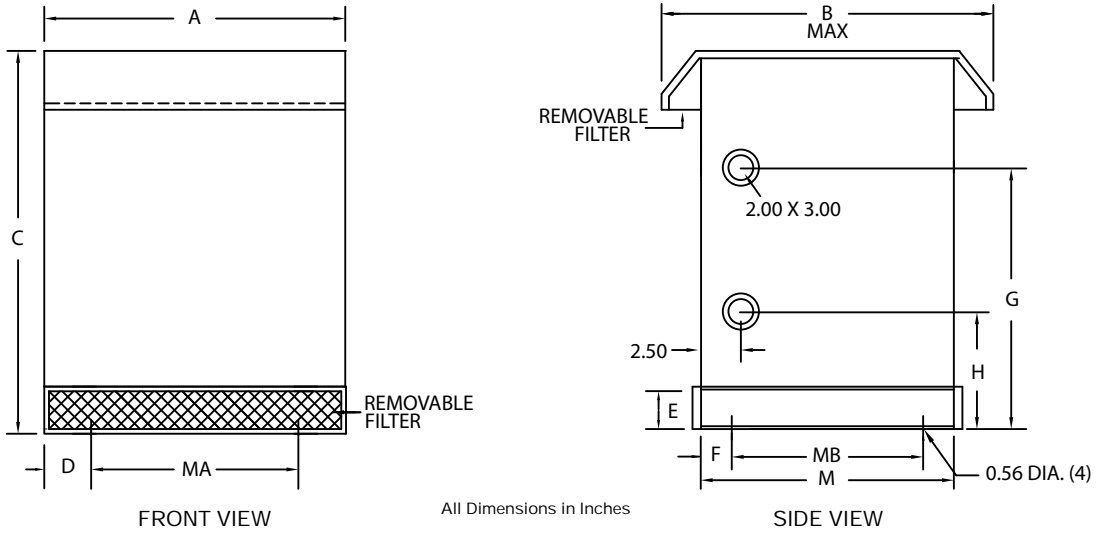
| Standard Conduit Size | Actual Knockout Diameter |
|-----------------------|--------------------------|
| 1/2"                  | 7/8"                     |
| 3/4"                  | 1 1/8"                   |
| 1"                    | 1 3/8"                   |
| 1 1/4"                | 1 3/4"                   |
| 1 1/2"                | 2"                       |
| 2"                    | 2 1/2"                   |
| 2 1/2"                | 3"                       |
| 3"                    | 3 5/8"                   |
| 3 1/2"                | 4 1/8"                   |

GENERAL  
INFORMATION



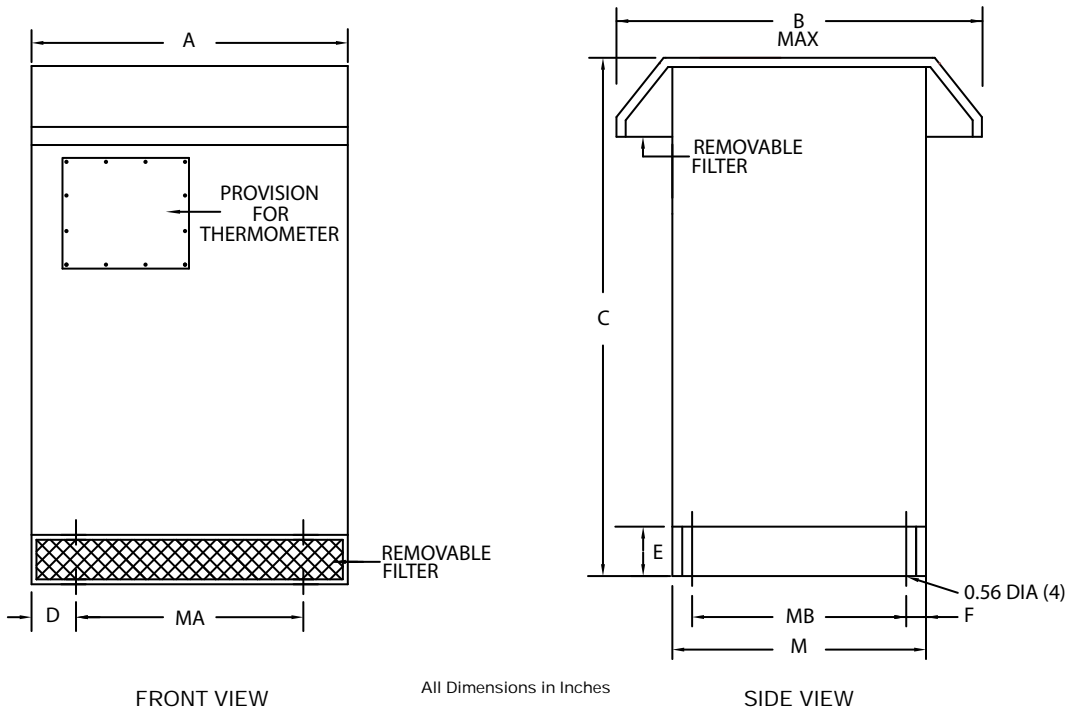
# GENERAL INFORMATION

## TYPE 3RE ENHANCED ENCLOSURE DIMENSIONAL DRAWINGS 'NH' SERIES ENCLOSURES



| Case Style | Dimensions in Inches |       |       |      |      |      |       |       |       |       |       |
|------------|----------------------|-------|-------|------|------|------|-------|-------|-------|-------|-------|
|            | A                    | B     | C     | D    | E    | F    | G     | H     | MA    | MB    | M     |
| NH3-N3RE   | 26.00                | 38.00 | 42.00 | 2.25 | 8.00 | 0.75 | 26.00 | 18.00 | 21.50 | 19.00 | 20.63 |
| NH4-N3RE   | 32.00                | 42.00 | 45.00 | 4.25 | 8.00 | 0.75 | 29.00 | 18.00 | 23.50 | 23.50 | 25.13 |

## 'NJ' SERIES ENCLOSURES



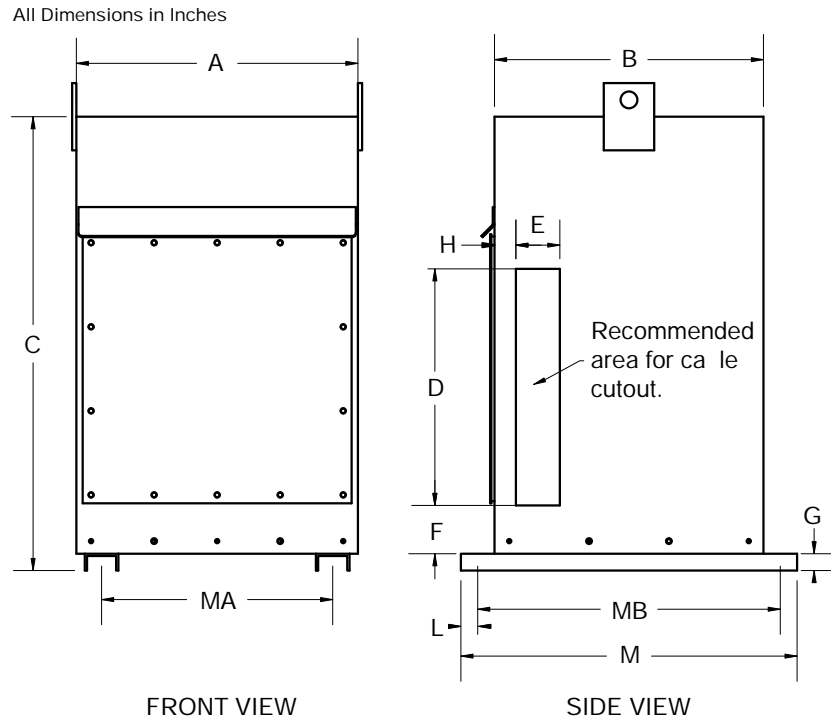
| Case Style | Dimensions in Inches |       |       |       |       |      |       |       |       |  |
|------------|----------------------|-------|-------|-------|-------|------|-------|-------|-------|--|
|            | A                    | B     | C     | D     | E     | F    | MA    | MB    | M     |  |
| NJ1-N3RE   | 39.50                | 55.00 | 57.50 | 7.63  | 10.00 | 1.00 | 24.00 | 32.00 | 34.00 |  |
| NJ2-N3RE   | 48.50                | 60.00 | 65.00 | 10.38 | 10.00 | 1.00 | 27.50 | 36.00 | 38.00 |  |
| NJ3-N3RE   | 51.50                | 65.00 | 72.00 | 8.52  | 10.00 | 1.00 | 34.00 | 41.00 | 43.00 |  |
| NJ6-N3RE   | 64.00                | 70.00 | 83.00 | 12.00 | 12.00 | 1.00 | 40.00 | 42.00 | 44.00 |  |
| NJ7-N3RE   | 64.00                | 77.00 | 83.00 | 12.00 | 12.00 | 1.00 | 40.00 | 49.00 | 51.00 |  |

GENERAL  
INFORMATION



# GENERAL INFORMATION

## OPTIONAL NEMA 4 & 12 ENCLOSURE DIMENSIONAL DRAWINGS 'NH-N4 & NH-N12' SERIES ENCLOSURES



| Case Style      | Dimensions in Inches |       |       |       |      |      |      |      |      |       |       |       |
|-----------------|----------------------|-------|-------|-------|------|------|------|------|------|-------|-------|-------|
|                 | A                    | B     | C     | D     | E    | F    | G    | H    | L    | M     | MA    | MB    |
| NH5-N4, NH5-N12 | 16.75                | 16.00 | 27.00 | 16.00 | 4.00 | 4.00 | 1.00 | 2.00 | 1.00 | 20.00 | 13.75 | 18.00 |
| NH6-N4, NH6-N12 | 21.50                | 21.00 | 41.00 | 24.00 | 5.00 | 4.00 | 1.00 | 2.00 | 1.00 | 25.00 | 17.00 | 23.00 |
| NH3-N4, NH3-N12 | 28.00                | 23.00 | 55.50 | 32.00 | 6.00 | 4.00 | 1.50 | 2.00 | 1.00 | 27.00 | 21.50 | 25.00 |
| NH4-N4, NH4-N12 | 34.00                | 27.00 | 61.50 | 36.00 | 7.00 | 4.00 | 1.50 | 2.00 | 1.00 | 31.00 | 23.50 | 29.00 |

Note: Mounting hole dimension is 0.69" diameter.

GENERAL  
INFORMATION

### Optional NEMA 4 & 12 Stainless Steel Enclosures

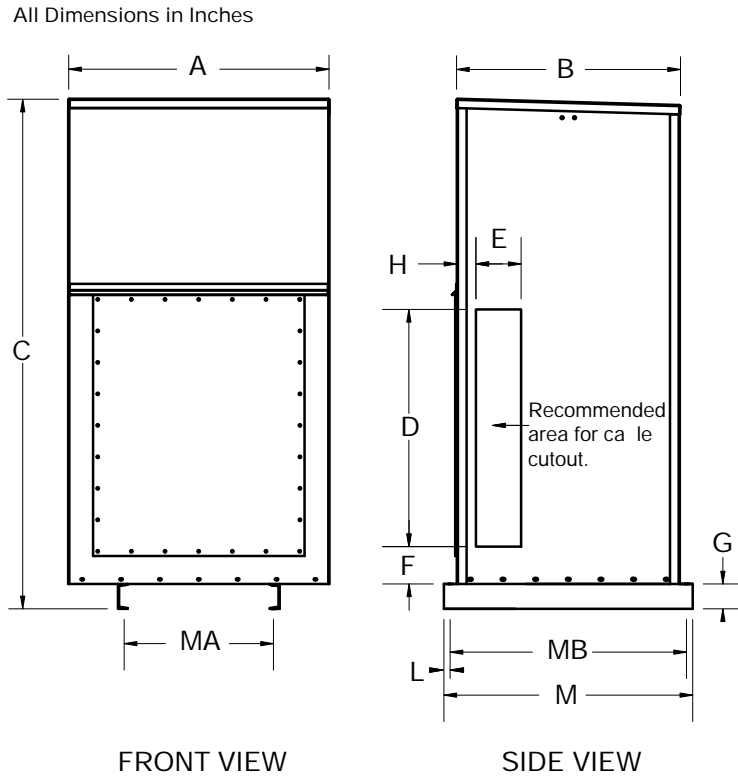
Optional NEMA 4 and 12 rated stainless steel enclosures are available and are designed using either type 304 or 316 stainless steel in accordance with ANSI, NEMA, UL and ABS requirements for indoor, outdoor and marine duty applications.



# GENERAL INFORMATION

## OPTIONAL NEMA 4 & 12 ENCLOSURE DIMENSIONAL DRAWINGS

'NJ-N4 & NJ-N12' SERIES ENCLOSURES



| Case Style      | Dimensions in Inches |       |       |       |      |      |      |      |      |       |       |       |
|-----------------|----------------------|-------|-------|-------|------|------|------|------|------|-------|-------|-------|
|                 | A                    | B     | C     | D     | E    | F    | G    | H    | L    | M     | MA    | MB    |
| NJ1-N4, NJ1-N12 | 42.00                | 36.00 | 82.00 | 40.00 | 8.00 | 6.00 | 4.00 | 3.00 | 1.00 | 40.00 | 24.00 | 38.00 |

Note: Mounting hole dimension is 0.69" diameter.

### Optional NEMA 4 & 12 Stainless Steel Enclosures

Optional NEMA 4 and 12 rated stainless steel enclosures are available and are designed using either type 304 or 316 stainless steel in accordance with ANSI, NEMA, UL and ABS requirements for indoor, outdoor and marine duty applications.

GENERAL  
INFORMATION

