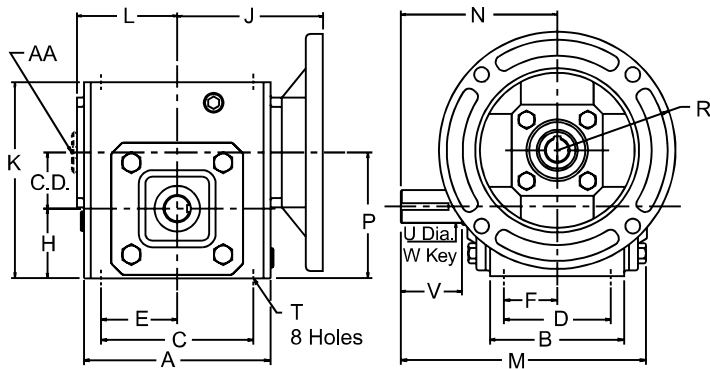
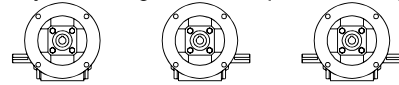


Style QW

C-Face Quilled - Basic Unit



Assembly Drawing and Sample of Components

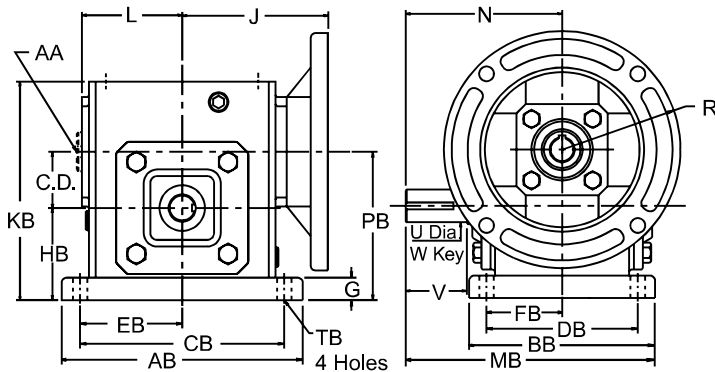


133Q56L10W 133Q56R10W 133Q56LR10W

Note: When mounting Style "QW-B", interference may occur; use a Riser Block or consult Application Engineering (1 800 626 2093).

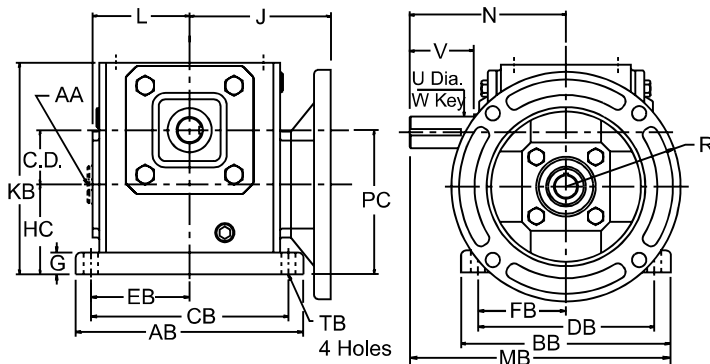
Style QW-T

Worm Top

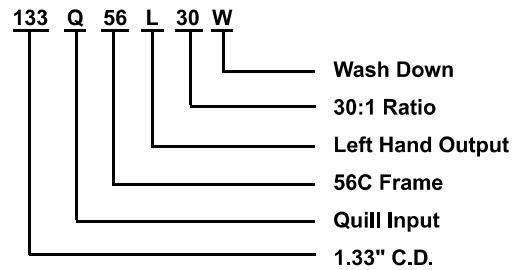


Style QW-B

Worm Bottom



PART NUMBER EXPLANATION



Dimensions (Inches) for Style "QW"

PART NUMBER ★	C.D.	NEMA FRAME	A	B	C	D	E	F	H	J	K	L	M	N	P	R
133Q56W	1.33	56C	4.00	2.88	3.25	2.00	1.62	1.00	1.72	3.94	4.66	2.12	6.01	4.00	3.05	3.25
154Q56W	1.54	56C	5.13	3.69	4.19	2.75	2.09	1.38	1.91	4.50	5.38	2.75	6.76	4.31	3.45	3.25
154Q140W	1.54	143/145TC	5.13	3.69	4.19	2.75	2.09	1.38	1.91	4.50	5.38	2.75	6.76	4.31	3.45	3.25
175Q56W	1.75	56C	4.81	3.38	4.19	2.75	2.09	1.38	2.06	4.38	5.75	2.75	6.72	4.31	3.81	3.25
175Q140W	1.75	143/145TC	4.81	3.38	4.19	2.75	2.09	1.38	2.06	4.38	5.75	2.75	6.72	4.31	3.81	3.25
206Q56W	2.06	56C	5.50	3.75	5.00	2.88	2.50	1.44	2.28	4.75	6.38	3.00	7.29	4.69	4.34	3.25
206Q140W	2.06	143/145TC	5.50	3.75	5.00	2.88	2.50	1.44	2.28	4.75	6.38	3.00	7.29	4.69	4.34	3.25
237Q56W	2.37	56C	6.13	4.06	5.00	2.88	2.50	1.44	2.50	5.06	6.94	3.56	7.78	5.08	4.88	3.25
237Q140W	2.37	143/145TC	6.13	4.06	5.00	2.88	2.50	1.44	2.50	5.06	6.94	3.56	7.78	5.08	4.88	3.25
262Q56W	2.62	56C	7.12	4.44	6.38	3.38	3.19	1.69	2.94	5.69	8.00	3.69	8.71	5.62	5.57	3.25
262Q140W	2.62	143/145TC	7.12	4.44	6.38	3.38	3.19	1.69	2.94	5.69	8.00	3.69	8.71	5.62	5.57	3.25
262Q180W	2.62	182/184TC	7.12	4.44	6.38	3.38	3.19	1.69	2.94	6.13	8.00	3.69	8.71	5.62	5.57	4.50
300Q56W	3.00	56C	8.50	5.50	7.00	4.00	3.50	2.00	3.25	5.66	8.88	4.50	10.21	6.75	6.25	3.25
300Q140W	3.00	143/145TC	8.50	5.50	7.00	4.00	3.50	2.00	3.25	5.66	8.88	4.50	10.21	6.75	6.25	3.25
300Q180W	3.00	182/184TC	8.50	5.50	7.00	4.00	3.50	2.00	3.25	6.44	8.88	4.50	10.21	6.75	6.25	4.50
325Q56W	3.25	56C	8.50	5.00	7.50	4.00	3.75	2.00	3.50	6.56	9.38	4.50	10.69	7.06	6.75	3.25
325Q140W	3.25	143/145TC	8.50	5.00	7.50	4.00	3.75	2.00	3.50	6.56	9.38	4.50	10.69	7.06	6.75	3.25
325Q180W	3.25	182/184TC	8.50	5.00	7.50	4.00	3.75	2.00	3.50	7.00	9.38	4.50	10.69	7.06	6.75	4.50

C.D.	N.E.M.A. FRAME	T		INPUT		OUTPUT SHAFT				STOCK RATIOS MARKED "x"								WT. LBS.	
						U +.000 -.001	V	W KEY		5	10	15	20	25	30	40	50		60
								SQ.	LGTH.										
1.33	56C	5/16-18	.50	.625	3/16 X 3/32	.625	2.00	.188	1.31	x	x	x	x	x	x	x	x	x	17.0
1.54	56C	5/16-18	.50	.625	3/16 X 3/32	.750	1.70	.188	1.25	x	x	x	x	x	x	x	x	x	24.0
1.54	143/145TC	5/16-18	.50	.875	3/16 X 3/32	.750	1.70	.188	1.25	x	x	x	-	-	-	-	-	-	24.0
1.75	56C	5/16-18	.61	.625	3/16 X 3/32	.875	1.88	.188	1.38	x	x	x	x	x	x	x	x	x	27.0
1.75	143/145TC	5/16-18	.61	.875	3/16 X 3/32	.875	1.88	.188	1.38	x	x	x	-	-	-	-	-	-	27.0
2.06	56C	3/8-16	.61	.625	3/16 X 3/32	1.000	2.00	.250	1.75	-	x	x	x	x	x	x	x	x	32.0
2.06	143/145TC	3/8-16	.61	.875	3/16 X 3/32	1.000	2.00	.250	1.75	x	x	x	x	-	-	-	-	-	32.0
2.37	56C	3/8-16	.60	.625	3/16 X 3/32	1.125	2.26	.250	1.75	-	x	x	x	x	x	x	x	x	38.0
2.37	143/145TC	3/8-16	.60	.875	3/16 X 3/32	1.125	2.26	.250	1.75	-	x	x	x	x	x	x	-	-	38.0
2.62	56C	3/8-16	.58	.625	3/16 X 3/32	1.125	2.50	.250	2.00	-	x	x	x	x	x	x	x	x	50.0
2.62	143/145TC	3/8-16	.58	.875	3/16 X 3/32	1.125	2.50	.250	2.00	-	x	x	x	x	x	x	x	x	50.0
2.62	182/184TC	3/8-16	.58	1.125	1/4 X 1/8	1.125	2.50	.250	2.00	x	x	-	-	-	-	-	-	-	50.0
3.00	56C	7/16-14	.80	.625	3/16 X 3/32	1.250	3.14	.250	2.25	-	-	x	x	x	x	x	x	x	68.0
3.00	143/145TC	7/16-14	.80	.875	3/16 X 3/32	1.250	3.14	.250	2.25	-	x	x	x	x	x	x	x	x	68.0
3.00	182/184TC	7/16-14	.80	1.125	1/4 X 1/8	1.250	3.14	.250	2.25	-	x	x	x	x	x	x	x	x	68.0
3.25	56C	7/16-14	.80	.625	3/16 X 3/32	1.375	3.31	.313	2.88	-	x	x	x	x	x	x	x	x	87.0
3.25	143/145TC	7/16-14	.80	.875	3/16 X 3/32	1.375	3.31	.313	2.88	-	x	x	x	x	x	x	x	x	87.0
3.25	182/184TC	7/16-14	.80	1.125	1/4 X 1/8	1.375	3.31	.313	2.88	-	x	x	x	x	x	x	x	x	87.0

WD Raider Plus

Dimensions (Inches) for Style "QW-T" – Worm Top

PART NUMBER	BASE KIT ◆	AB	BB	CB	DB	EB	FB	G	HB	KB	MB	PB	TB	WT. LBS.
133QW	133S-BKW	5.38	4.19	4.38	3.31	2.19	1.66	.53	2.25	5.19	6.09	3.58	.38	17.5
154QW	154S-BKW	6.44	5.46	5.25	4.32	2.63	2.16	.59	2.50	5.97	7.04	4.04	.44	24.8
175QW	175S-BKW	7.00	5.56	5.75	4.50	2.88	2.25	.69	2.75	6.44	7.09	4.50	.44	28.0
206QW	206S-BKW	7.69	5.76	6.38	4.69	3.19	2.34	.72	3.00	7.10	7.57	5.06	.50	33.5
237QW	237S-BKW	8.50	6.20	7.06	4.88	3.53	2.44	.75	3.25	7.69	8.19	5.62	.50	39.8
262QW	262S-BKW	9.25	6.50	8.00	5.25	4.00	2.63	.75	3.69	8.75	8.87	6.31	.56	52.0
300QW	300S-BKW	10.16	7.36	8.44	5.88	4.22	2.94	.88	4.13	9.76	10.43	7.13	.56	70.5
325QW	325S-BKW	11.13	7.75	9.50	6.13	4.75	3.06	.88	4.38	10.26	10.94	7.63	.56	90.0

Dimensions (Inches) for Style "QW-B"

PART NUMBER	BASE KIT ◆	HC	PC
133QW	133S-BKW	2.14	3.47
154QW	154S-BKW	2.52	4.06
175QW	175S-BKW	2.63	4.38
206QW	206S-BKW	2.75	4.81
237QW	237S-BKW	2.82	5.19
262QW	262S-BKW	3.19	5.81
300QW	300S-BKW	3.51	6.51
325QW	325S-BKW	3.51	6.76

★ To complete Part No. add shaft assembly (L, R, LR) and ratio symbol to size - for example 133Q56LR10W.
 ◆ Components needed to make assembled reducer must be ordered separately.
 Washdown duty base kits are dimensionally identical to solid base kits on page 220 except for washdown duty paint.