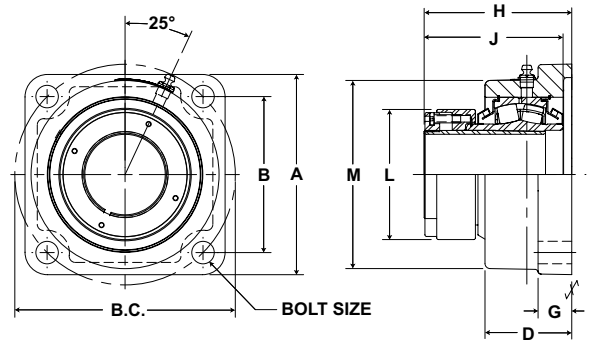


Performance Mounted Spherical Roller Bearings **SEALMASTER®**



- Rolling Elements:** Spherical Roller
- Housing:** Cast Iron Four Bolt Flange
- Self Alignment:** +/- 2 Degrees
- Lock:** Adapter
- Seal:** Felt
- Optional Seal:** Double Lip Contact
- Temperature:** -20° to 220° F



USFB5000A Series Four-Bolt Flange Units - Adapter Mount

Bore Diameter	Part No.	Basic Dynamic Rating lb/N	Dimensions inch / mm										Unit Wt. lb/kg
			A	B	B.C.	D	G	H*	J	L	M	Bolt Size	
1 7/16	USFB5000A-107	20368	4 5/8	3 17/32	5	2 1/16	3/4	3 7/16	3 11/32	2 47/64	3 7/8	1/2	6.7
1 1/2	USFB5000A-108	90597	117.5	89.7	127.0	52.4	19.1	87.3	84.9	69.5	98.4		3.06
1 11/16	USFB5000A-111	22689	5	3 57/64	5 1/2	2 1/4	3/4	3 35/64	3 29/64	2 31/32	4 1/2	1/2	8.9
1 3/4	USFB5000A-112	100921	127.0	98.8	139.7	57.2	19.1	90.1	87.7	75.4	114.3		4.04
1 15/16	USFB5000A-115	23520	5 3/16	4 1/16	5 3/4	2 1/4	3/4	3 37/64	3 1/2	3 11/64	4 3/4	1/2	9.5
2	USFB5000A-200	104617	131.8	103.2	146.1	57.2	19.1	90.9	88.9	80.6	120.7		4.33
2 3/16	USFB5000A-203	28087	5 7/8	4 1/2	6 3/8	2 7/16	13/16	3 31/32	3 7/8	3 7/16	5 1/8	5/8	11.9
		124931	149.2	114.3	161.9	61.9	20.6	100.8	98.4	87.3	130.2		5.42
2 7/16	USFB5000A-207	44691	6 1/8	4 49/64	6 3/4	2 21/32	1 1/32	4 13/32	4 5/16	3 63/64	5 3/4	5/8	16.2
2 1/2	USFB5000A-208	198786	155.6	121.0	171.5	67.5	26.2	111.9	109.5	101.2	146.1		7.37
2 11/16	USFB5000A-211	47447 211044	7 3/16	5 9/16	7 7/8	2 7/8	15/16	4 19/32	4 31/64	4 25/64	6 5/8	3/4	23.2
2 3/4	USFB5000A-212												
2 15/16	USFB5000A-215												
3	USFB5000A-300												
3 3/16	USFB5000A-303	72640 323103	8 3/8	6 23/32	9 1/2	3 9/32	1 1/8	5 43/64	5 35/64	5 15/32	7 5/8	3/4	38.0
3 7/16	USFB5000A-307												
3 1/2	USFB5000A-308												
3 11/16	USFB5000A-311	96050 427230	9 1/2	7 19/32	10 3/4	3 11/16	1 1/4	6 5/64	5 15/16	5 13/16	8 7/8	7/8	46.9
3 15/16	USFB5000A-315												
4	USFB5000A-400												

*For expansion bearings, this dimension can increase by the corresponding value in table VIII on page I-69. One expansion unit is to be used in conjunction with one non-expansion unit for applications using an adapter lock unit. Failure to utilize one expansion and one non-expansion unit is likely to result in reduced bearing performance.