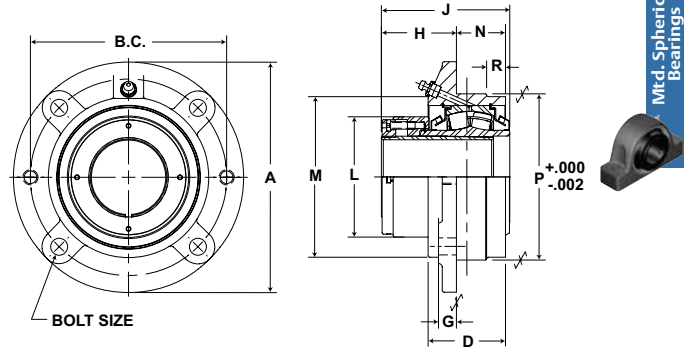


Performance Mounted Spherical Roller Bearings **SEALMASTER®**



- Rolling Elements:** Spherical Roller
- Housing:** Cast Iron Piloted Flange Cartridge
- Self Alignment:** +/- 2 Degrees
- Lock:** Adapter
- Seal:** Felt
- Optional Seal:** Double Lip Contact
- Temperature:** -20° to 220° F



Med. Spherical Bearings

USFC5000A Series Piloted Flange Cartridge Units - Adapter Mount

Bore Diameter Inch	Part No.	Basic Dynamic Rating lb/N	Dimensions inch / mm												Unit Wt. lb/kg													
			A	B.C.	D	G	H *	J	L	M	N *	P	R	Bolt Size														
1 7/16	USFC5000A-107	20368	5 1/4	4 3/8	2 1/16	15/32	2 3/64	3 11/32	2 47/64	3 1/2	1 9/32	3 5/8	-	3/8	5.6													
1 1/2	USFC5000A-108	90597	133.4	111.1	52.4	11.9	52.0	84.9	69.5	88.9	32.5	92.1	-	3/8	2.56													
1 11/16	USFC5000A-111	22689	6 1/8	5 1/8	2 1/4	15/32	2	3 29/64	2 31/32	4	1 7/16	4 1/4	9/16	7/16	7.9													
1 3/4	USFC5000A-112	100921	155.6	130.2	57.2	11.9	50.8	87.7	75.4	101.6	36.5	108.0	14.3	7/16	3.60													
1 15/16	USFC5000A-115	23520	6 3/8	5 3/8	2 1/4	17/32	2 1/64	3 1/2	3 11/64	4 3/8	1 15/32	4 1/2	5/8	7/16	8.6													
2	USFC5000A-200	104617	161.9	136.5	57.2	13.5	51.2	88.9	80.6	111.1	37.3	114.3	15.9	7/16	3.92													
2 3/16	USFC5000A-203	28087	7 1/8	6	2 3/8	17/32	2 11/32	3 7/8	3 7/16	4 3/4	1 15/32	5	15/32	1/2	10.9													
		124931	181.0	152.4	60.3	13.5	59.5	98.4	87.3	120.7	37.3	127.0	11.9	1/2	4.95													
2 7/16	USFC5000A-207	44691	7 5/8	6 1/2	2 9/16	19/32	2 17/32	4 5/16	3 63/64	5 5/16	1 5/8	5 1/2	5/8	1/2	15.3													
2 1/2	USFC5000A-208	198786	193.7	165.1	65.1	15.1	64.3	109.5	101.2	134.9	41.3	139.7	15.9	1/2	6.95													
2 11/16	USFC5000A-211	47447	8 3/4	7 1/2	2 7/8	23/32	2 19/32	4 31/64	4 25/64	6	1 27/32	6 3/8	19/32	5/8	21.9													
2 3/4	USFC5000A-212															211044	222.3	190.5	73.0	18.3	65.9	113.9	111.5	152.4	46.8	161.9	15.1	9.97
2 15/16	USFC5000A-215															3	USFC5000A-300											
3 3/16	USFC5000A-303	72640	10 1/4	8 5/8	3 1/8	53/64	3 1/2	5 35/64	5 15/32	7 3/16	1 27/32	7 3/8	5/8	3/4	35.5													
3 7/16	USFC5000A-307	323103	260.4	219.1	79.4	21.0	88.9	140.9	138.9	182.6	46.8	187.3	15.9	3/4	16.15													
3 1/2	USFC5000A-308																											
3 11/16	USFC5000A-311	96050	10 7/8	9 3/8	3 1/2	31/32	3 21/32	5 15/16	5 13/16	7 3/4	2 1/16	8 1/8	9/16	3/4	43.1													
3 15/16	USFC5000A-315	427230	276.2	238.1	88.9	24.6	92.9	150.8	147.6	196.9	52.4	206.4	14.3	3/4	19.59													
4	USFC5000A-400																											

*For expansion bearings, the sum of dimension "H" and "N" can increase by the corresponding value in table VIII on page I-69. One expansion unit is to be used in conjunction with one non-expansion unit for applications using an adapter lock unit. Failure to utilize one expansion and one non-expansion unit is likely to result in reduced bearing performance.