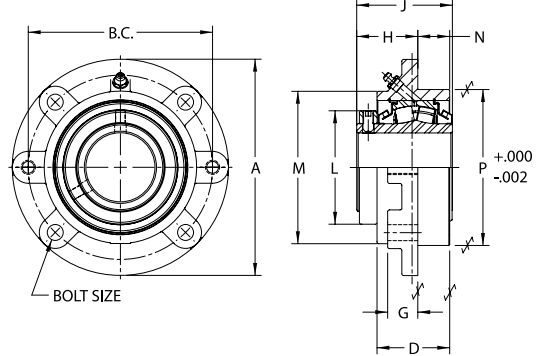


# SEALMASTER® Performance Mounted Spherical Roller Bearings

Mtd. Spherical Bearings



- Rolling Elements:** Spherical Roller
- Housing:** Ductile Iron Piloted Flange Cartridge
- Self Alignment:** +/- 2 Degrees
- Lock:** Setscrew
- Seal:** Felt
- Optional Seal:** Double Lip Contact
- Temperature:** -20° to 220° F



## USFCE5000 Series Flange Cartridge Units - Collar Mount, Type E Mounting Dimensions

Bore Diameter inch	Part No.	Basic Dynamic Rating lb/N	Dimensions inch / mm										Unit Wt. lb/kg													
			A	B.C.	D	G	H *	J	L	M	N *	P		Bolt Size												
1 15/16	USFCE5000-115	23520	6 3/8	5 3/8	2 7/16	1	1 31/32	2 7/8	3	4 1/2	1 1/16	4 1/2	3/8	9.6												
2	USFCE5000-200	104617	161.9	136.5	61.9	25.4	50.0	73.0	76.2	114.3	27.0	114.3		4.35												
2 3/16	USFCE5000-203	28087	7 1/8	6	2 1/2	1	2 1/16	3 1/8	3 1/4	4 7/8	1 1/8	5	1/2	11.8												
		124931	181.0	152.4	63.5	25.4	52.4	79.4	82.6	123.8	28.6	127.0		5.35												
2 7/16	USFCE5000-207	44691	7 5/8	6 1/2	2 9/16	1 1/16	2 5/32	3 3/8	4	5 3/8	1 1/8	5 1/2	1/2	15.0												
2 1/2	USFCE5000-208	198786	193.7	165.1	65.1	27.0	54.8	85.7	101.6	136.5	28.6	139.7		6.83												
2 11/16	USFCE5000-211	211044	222.3	190.5	65.1	23.8	61.9	98.4	115.1	158.8	31.8	161.9	5/8	10.02												
2 3/4	USFCE5000-212														47447	8 3/4	7 1/2	2 9/16	15/16	2 7/16	3 7/8	4 17/32	6 1/4	1 1/4	6 3/8	
2 15/16	USFCE5000-215																									
3	USFCE5000-300																									
3 3/16	USFCE5000-303	72640	10 1/4	8 5/8	3 1/8	1 7/16	2 15/16	4 15/32	5 5/16	7 1/8	1 5/16	7 3/8	3/4	36.5												
3 7/16	USFCE5000-307	323103	260.4	219.1	79.4	36.5	74.6	113.5	134.9	181.0	33.3	187.3		16.59												
3 1/2	USFCE5000-308																									
3 11/16	USFCE5000-311	96050	10 7/8	9 3/8	3 1/2	1 1/16	2 21/32	4 15/16	6	7 3/4	2 1/16	8 1/8	3/4	42.7												
3 15/16	USFCE5000-315	427230	276.2	238.1	88.9	27.0	67.5	125.4	152.4	196.9	52.4	206.4		19.40												
4	USFCE5000-400																									

\*For expansion bearings, the sum of dimension "H" and "N" can increase by the corresponding value in table VIII on page I-69.

Metric dimensions for reference only.  
 Not all parts are available from stock. Please contact customer service for availability (800) 626-2120.  
 For more information on bearing capabilities outside of our standard offering, please contact Application Engineering (800) 626-2093.