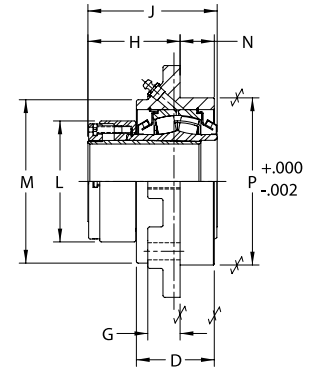
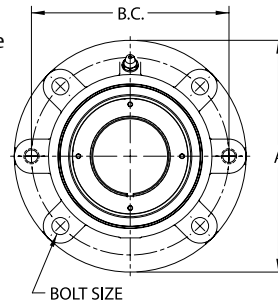


Performance Mounted Spherical Roller Bearings **SEALMASTER**®



- Rolling Elements:** Spherical Roller
- Housing:** Ductile Iron Piloted Flange Cartridge
- Self Alignment:** +/- 2 Degrees
- Lock:** Adapter
- Seal:** Felt
- Optional Seal:** Double Lip Contact
- Temperature:** -20° to 220° F



USFCE5000A Series Flange Cartridge Units - Adapter Mount, Type E Mounting Dimensions

Bore Diameter inch	Part No.	Basic Dynamic Rating lb/N	Dimensions inch / mm										Unit Wt. lb/kg													
			A	B.C.	D	G	H *	J	L	M	N *	P		Bolt Size												
1 15/16	USFCE5000A-115	23520	6 3/8	5 3/8	2 7/16	1	2 19/32	3 1/2	3 11/64	4 1/2	1 1/16	4 1/2	3/8	10.1												
2	USFCE5000A-200	104617	161.9	136.5	61.9	25.4	65.9	88.9	80.6	114.3	27.0	114.3		4.57												
2 3/16	USFCE5000A-203	28087	7 1/8	6	2 1/2	1	2 7/8	3 7/8	3 7/16	4 7/8	1 1/8	5	1/2	12.4												
		124931	181.0	152.4	63.5	25.4	73.0	98.4	87.3	123.8	28.6	127.0		5.65												
2 7/16	USFCE5000A-207	44691	7 5/8	6 1/2	2 9/16	1 1/16	3 5/64	4 5/16	3 63/64	5 3/8	1 1/8	5 1/2	1/2	15.9												
2 1/2	USFCE5000A-208	198786	193.7	165.1	65.1	27.0	78.2	109.5	101.2	136.5	28.6	139.7		7.24												
2 11/16	USFCE5000A-211	47447	8 3/4	7 1/2	2 9/16	15/16	3 3/64	4 31/64	4 25/64	6 1/4	1 1/4	6 3/8	5/8	22.1												
2 3/4	USFCE5000A-212														211044	222.3	190.5	65.1	23.8	77.4	113.9	111.5	158.8	31.8	161.9	10.06
2 15/16	USFCE5000A-215														3	USFCE5000A-300	USFCE5000A-303	USFCE5000A-307	USFCE5000A-308	USFCE5000A-311	USFCE5000A-315	USFCE5000A-400	96050	427230	10 7/8	9 3/8
3 3/16	USFCE5000A-303	72640	10 1/4	8 5/8	3 1/8	1 7/16	4 1/32	5 35/64	5 15/32	7 1/8	1 5/16	7 3/8	38.5													
3 7/16	USFCE5000A-307	323103	260.4	219.1	79.4	36.5	102.4	140.9	138.9	181.0	33.3	187.3	17.49													
3 1/2	USFCE5000A-308																									
3 11/16	USFCE5000A-311	96050	10 7/8	9 3/8	3 1/2	1 1/16	3 21/32	5 15/16	5 13/16	7 3/4	2 1/16	8 1/8	3/4	43.4												
3 15/16	USFCE5000A-315	427230	276.2	238.1	88.9	27.0	92.9	150.8	147.6	196.9	52.4	206.4		19.75												
4	USFCE5000A-400																									

*For expansion bearings, the sum of dimension "H" and "N" can increase by the corresponding value in table VIII on page I-69. One expansion unit is to be used in conjunction with one non-expansion unit for applications using an adapter lock unit. Failure to utilize one expansion and one non-expansion unit is likely to result in reduced bearing performance.