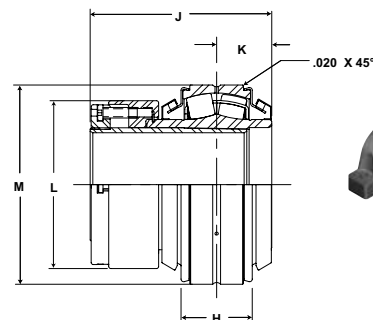
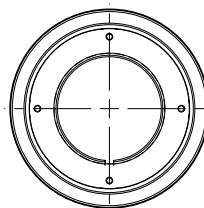


Performance Mounted Spherical Roller Bearings **SEALMASTER**®



- Rolling Elements:** Spherical Roller
- Housing:** Insert Bearing
- Self Alignment:** +/- 2 Degrees
- Lock:** Adapter
- Seal:** Felt
- Optional Seal:** Double Lip Contact
- Temperature:** -20° to 220° F



USI5000A Unitized Spherical Roller Bearing Inserts - Adapter Mount

Bore Diameter	Part No.	Basic Dynamic Rating lb/N	Dimensions inch / mm					Unit Wt. lb/kg
			H	J	K	L	M (Nominal)	
1 1/8	USI5000A-102	20368 90597	1 15/64 31.4	3 11/32 84.9	1 25.4	2 31/32 75.4	3.1493 80.0	3.3 1.50
1 3/16	USI5000A-103							
1 1/4	USI5000A-104							
1 7/16	USI5000A-107							
1 1/2	USI5000A-108							
1 11/16	USI5000A-111	22689	1 7/32	3 29/64	1 3/64	2 63/64	3.3462	3.5
1 3/4	USI5000A-112	100921	29.9	84.6	25.6	73.1	82.0	1.59
1 15/16	USI5000A-115	23520	1 17/64	3 1/2	1 1/16	3 11/64	3.5430	3.7
2	USI5000A-200	104617	32.1	88.9	27.0	80.6	90.0	1.68
2 3/16	USI5000A-203	28087 124931	1 23/64 33.3	3 7/8 94.9	1 9/64 27.9	3 7/16 84.2	3.9367 96.4	4.6 2.09
2 7/16	USI5000A-207	44691	1 11/16	4 5/16	1 5/16	3 63/64	4.7281	8.3
2 1/2	USI5000A-208	198786	42.9	109.5	33.3	101.2	120.0	3.77
2 11/16	USI5000A-211	47447 211044	1 23/32	4 31/64	1 25/64	4 25/64	5.1178 125.4	10.0 4.55
2 3/4	USI5000A-212							
2 15/16	USI5000A-215							
3	USI5000A-300							
3 3/16	USI5000A-303	72640	2 1/8	5 35/64	1 45/64	5 15/32	6.2987	19.8
3 7/16	USI5000A-307	323103	54.0	140.9	43.3	138.9	160.0	9.00
3 1/2	USI5000A-308							
3 11/16	USI5000A-311	96050	2 13/32	5 15/16	1 55/64	5 13/16	7.0861	24.4
3 15/16	USI5000A-315	427230	59.0	150.8	45.6	142.4	173.6	11.09
4	USI5000A-400							
4 7/16	USI5000A-407	111537	2 11/16	6 27/64	2 5/64	6 11/32	7.8734	28.7
4 1/2	USI5000A-408	496117	68.3	163.1	52.8	161.1	200.0	13.05
4 15/16	USI5000A-415	158816	3 21/64	7 1/8	2 27/64	7 13/64	9.0545	46.7
5	USI5000A-500	706414	81.5	174.6	59.3	176.5	221.8	21.23
5 7/16	USI5000A-507	196682 874842	3 21/32 92.9	7 7/8 200.0	2 39/64 66.3	7 47/64 196.5	9.8419 250.0	57.7 26.23
5 15/16	USI5000A-515	261346 1162467	4 25/64 111.5	8 11/16 220.7	3 1/64 76.6	8 1/2 215.9	11.1724 290.0	91.3 41.50
6 7/16	USI5000A-607	334229 1486651	4 55/64	9 45/64	3 5/16	9 11/16	12.5976 308.6	118.7 53.95
6 1/2	USI5000A-608							
6 15/16	USI5000A-615							
7	USI5000A-700							
7 1/2	USI5000A-708	363818	5 15/64	10 9/16	3 19/32	11 7/64	14.1732	178.9
7 15/16	USI5000A-715	1618262	133.0	268.3	91.3	282.2	360.0	81.32
8	USI5000A-800							

Metric dimensions for reference only.

Not all parts are available from stock. Please contact customer service for availability (800) 626-2120.

For more information on bearing capabilities outside of our standard offering, please contact Application Engineering (800) 626-2093.