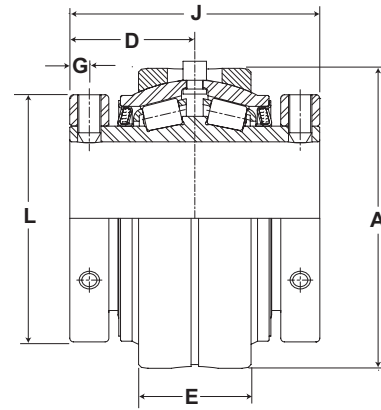




- Rolling Elements:** Tapered Roller
- Housing:** Cylindrical Cartridge Insert
- Self Alignment:** +/- 3 Degrees
- Lock:** Setscrew, Double Collar
- Seal:** Felt
- Optional Seal:** Single Lip Contact
- Temperature:** -20°F to 220°F



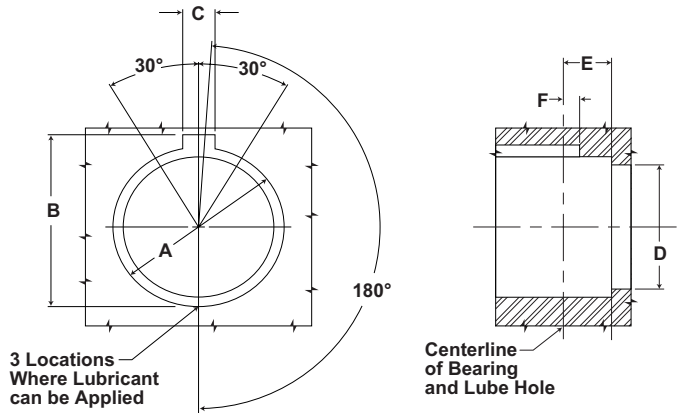
ERCI Series Replacement Cartridge Insert

Bore Diameter		Part No.	Basic Dynamic Rating lb/N	Dimensions inch / mm						Unit Wt. lb/kg
				A +.000 / -.001	D	E	G	J	L	
inch	mm									
1 3/4	45	ERCI-112								
1 15/16	50	ERCI-45MM	8070	3.937	1 3/4	1 3/4	5/16	3 1/2	3 1/4	6.5
		ERCI-115	35897	100.0	44.5	44.5	7.9	88.9	82.6	2.95
2	55	ERCI-50MM								
		ERCI-200								
2 3/16	55	ERCI-55MM	8570	4.437	1 7/8	1 3/4	5/16	3 3/4	3 5/8	7.7
		ERCI-203	38121	112.7	47.6	44.5	7.9	95.3	92.1	3.49
2 1/4	60	ERCI-204								
2 7/16	60	ERCI-60MM	9030	4.782	2	1 13/16	5/16	4	3 15/16	10.0
		ERCI-207	40167	121.5	50.8	46.0	7.9	101.6	100.0	4.54
2 1/2	65	ERCI-208								
		ERCI-65MM								
2 11/16	70	ERCI-211								
2 3/4	70	ERCI-212								
2 15/16	70	ERCI-70MM	9630	5.374	2 1/4	2	7/16	4 1/2	4 23/32	13.0
		ERCI-215	42836	136.5	57.2	50.8	11.1	114.3	119.9	5.90
3	75	ERCI-75MM								
		ERCI-300								
3 3/16	80	ERCI-80MM								
3 7/16	85	ERCI-303								
		ERCI-85MM	15320	6.593	2 1/2	2 1/4	7/16	5	5 7/16	22.0
3 1/2	90	ERCI-307	68147	167.5	63.5	57.2	11.1	127.0	138.1	9.98
		ERCI-308								
		ERCI-90MM								
		ERCI-95MM								
3 15/16	100	ERCI-315								
4	100	ERCI-100MM	20980	7.187	3 1/8	3 1/8	1/2	6 1/4	5 15/16	30.0
		ERCI-400	93321	182.5	79.4	79.4	12.7	158.8	150.8	13.61
		ERCI-105MM								
4 7/16	110	ERCI-110MM								
4 1/2	110	ERCI-407	25750	7.999	3 3/8	3 1/4	1/2	6 3/4	6 13/32	38.4
		ERCI-408	114542	203.2	85.7	82.6	12.7	171.5	162.7	17.42
		ERCI-115MM								
4 15/16	120	ERCI-120MM								
		ERCI-125MM	35520	9.061	3 5/8	3 3/4	5/8	7 1/4	7 13/32	55.0
5	125	ERCI-415	158001	230.1	92.1	95.3	15.9	184.2	188.1	24.95
		ERCI-500								

Metric dimensions for reference only.

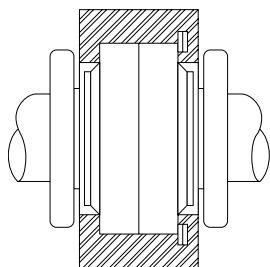
Not all parts are available from stock. Please contact customer service for availability (800) 626-2120.

For more information on bearing capabilities outside of our standard offering, please contact Application Engineering (800) 626-2093.

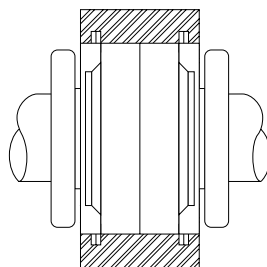


ERCI Series Housing Bore Dimensions

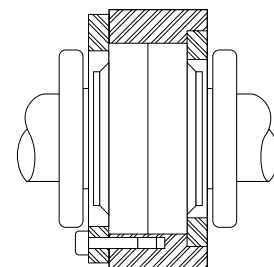
Bore Diameter		Dimensions inch / mm					
inch	mm	A +.002 / -.000 +.05 / -.000	B +.01 / -.00 +.25 / -.00	C +.01 / -.00 +.25 / -.00	D ±.01 ±.25	E ±.01 ±.25	F ±.005 ±.127
1 3/4 1 15/16 2	45 50	3.939 100.05	4.12 104.65	.44 11.18	3.63 42.20	.97 24.64	.25 6.35
2 3/16 2 1/4	55 60	4.439 112.75	4.62 117.35	.56 14.22	4.00 101.10	.97 24.64	.38 9.65
2 7/16 2 1/2	65	4.782 121.46	5.01 127.25	.56 14.22	4.38 111.25	1.03 26.16	.38 9.65
2 11/16 2 3/4 2 15/16 3	70 75	5.376 136.55	5.50 139.70	.56 14.22	5.12 130.05	1.16 29.46	.38 9.65
3 3/16 3 7/16 3 1/2	80 85 90 95	6.595 167.51	6.89 175.01	.75 19.05	6.00 152.40	1.28 32.51	.50 12.70
3 15/16 4	100 105 110	7.189 182.60	7.46 189.48	.75 19.05	6.62 168.15	1.75 44.45	.50 12.70
4 7/16 4 1/8	115	8.001 203.23	8.28 210.31	.75 19.05	7.25 184.15	1.81 45.97	.50 12.70
4 15/16 5	120 125	9.063 230.20	9.34 237.24	.75 19.05	8.50 215.90	2.06 52.35	.50 12.70



Cartridge Fixed Between Shoulder and Snap Ring



Cartridge Set For Expansion And Held Between Snap Rings



Cartridge Fixed Between Two Types of Collars