



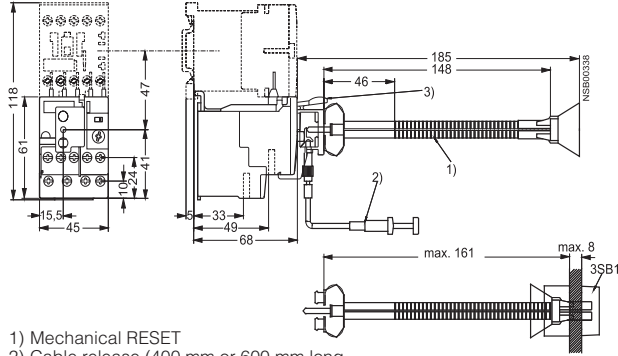
Dimension drawings

Screw connection

Lateral clearance to grounded components: at least 6 mm.

3RU11 16-.B0

Size S00 with accessories

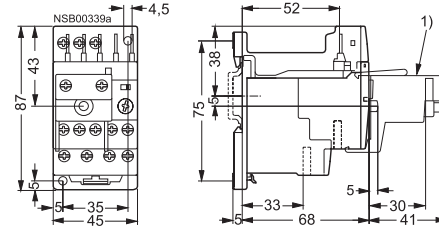


- 1) Mechanical RESET
- 2) Cable release (400 mm or 600 mm long, mounting on the front or laterally on the holder)
- 3) Holder for RESET

3RU11 16-.B.

Size S00

with adapter for installation as a single unit with accessories

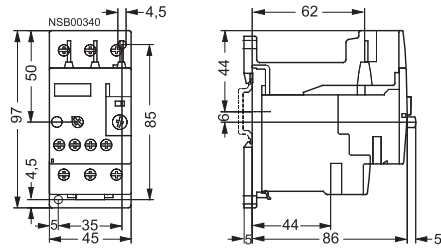


- 1) Module for remote RESET

3RU11 26-.B.

Size S0

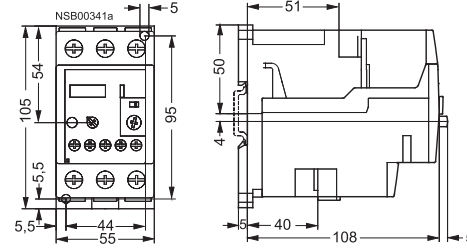
with adapter for installation as a single unit



3RU11 36-.B.

Size S2

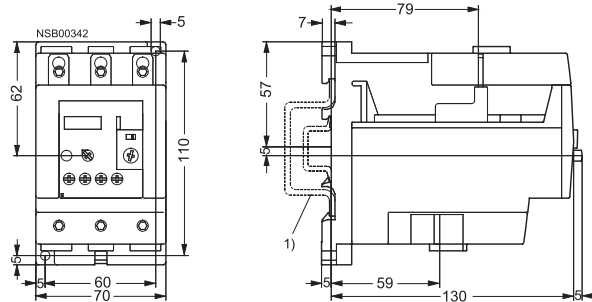
with adapter for installation as a single unit



3RU11 46-.B.

Size S3

with adapter for installation as a single unit



- 1) For mounting on 35 mm standard mounting rail (15 mm deep) acc. to EN 50 022 or 75 mm standard mounting rail acc. to EN 50023

Dimension drawings "Contactor with built-on overload relay" see contactors and contactor combinations.

Overload Relays

Thermal Overload Relays

SIRIUS



**3RU11 up to 100 A,
CLASS 10**

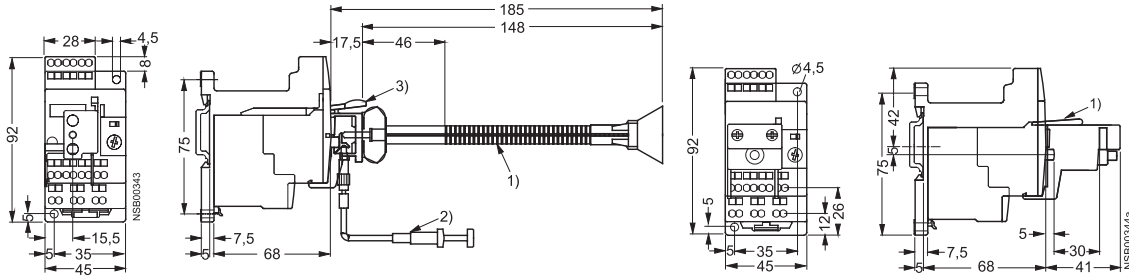
Dimension drawings

Cage Clamp terminals

Lateral clearance to grounded components: at least 6 mm.

3RU11 16 -..B0

Size S00 with accessories

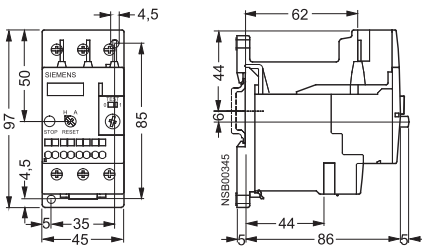


- 1) Mechanical RESET
- 2) Cable release (400 mm or 600 mm long, mounting on the front or laterally on the holder)
- 3) Holder for RESET

1) Module for remote RESET

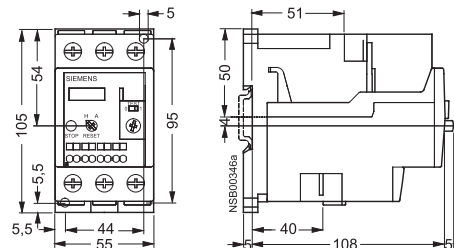
3RU11 26-..D.

Size S0



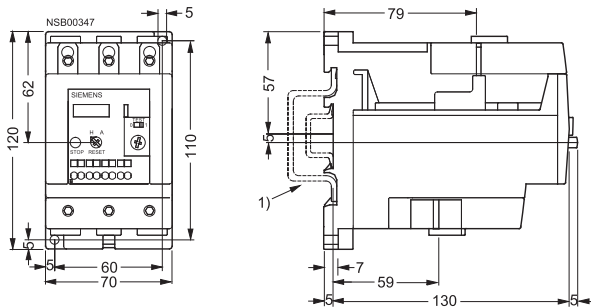
3RU11 36-..D.

Size S2



3RU11 46-..D.

Size S3



- 1) For mounting on 35 mm standard mounting rail (15 mm deep) acc. to EN 50 022 or 75 mm standard mounting rail acc. to EN 50 023

Dimension drawings "Contactor with built-on overload relay" see contactors and contactor combinations.