

# Overload Relays

## Thermal Overload Relays



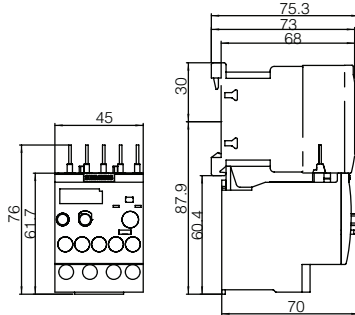
**3RU11 up to 100 A,  
CLASS 10**

### Dimension drawings

#### Screw connection

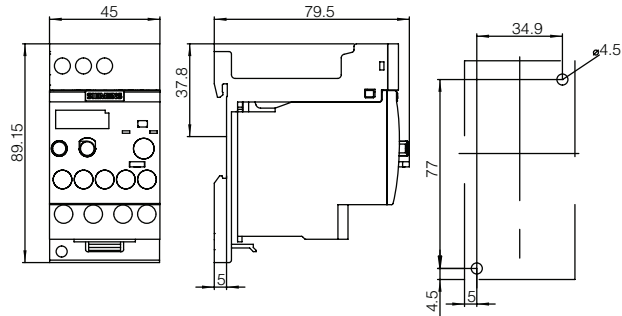
Lateral clearance to grounded components: at least 6 mm.

**3RU21 16-..B0**  
Size S00



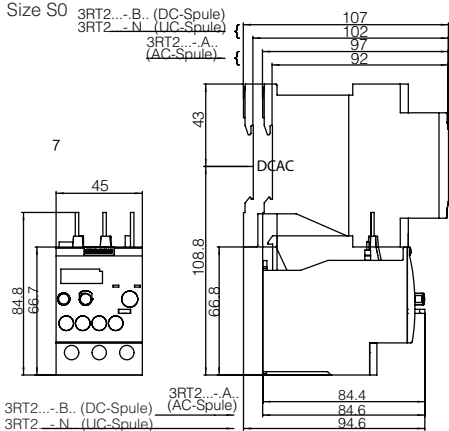
**3RU21 16-..B1**  
Size S00

with adapter for installation as a single unit with accessories



**3RU21 26-..B.**

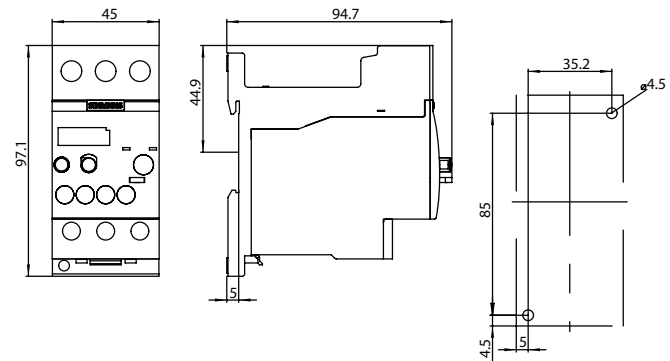
Size S0



**3RU21 26-..B1**

Size S0

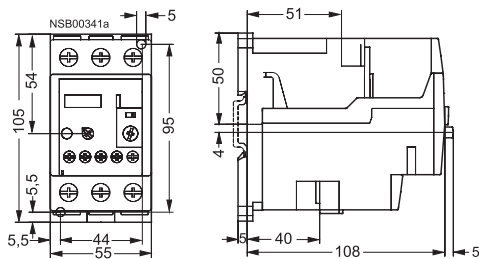
with adapter for installation as a single unit



**3RU11 36-..B.**

Size S2

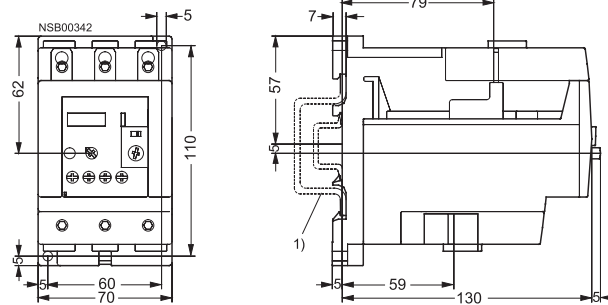
with adapter for installation as a single unit



**3RU11 46-..B.**

Size S3

with adapter for installation as a single unit



- 1) For mounting on 35 mm standard mounting rail (15 mm deep) acc. to EN 50 022 or 75 mm standard mounting rail acc. to EN 50023

Dimension drawings "Contactor with built-on overload relay" see contactors and contactor combinations.

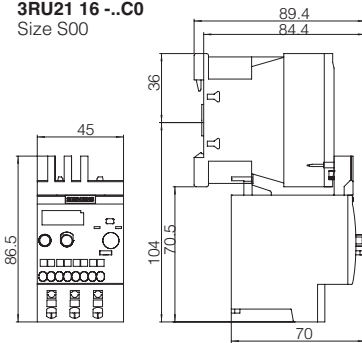
### Dimension drawings

#### Spring Loaded terminals

Lateral clearance to grounded components: at least 6 mm.

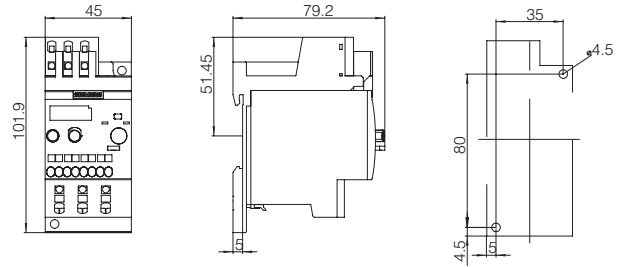
#### 3RU21 16 --C0

Size S00



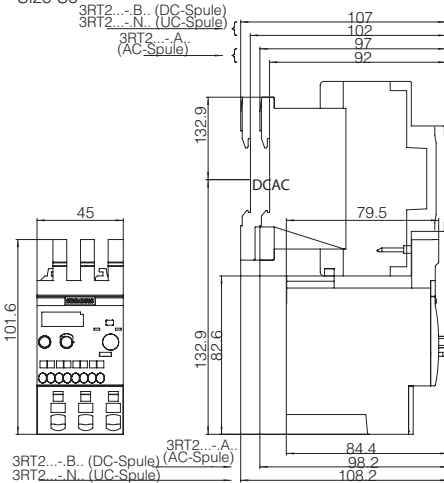
#### 3RU21 16 --C1

Size S00 with with adapter for installation as a single unit



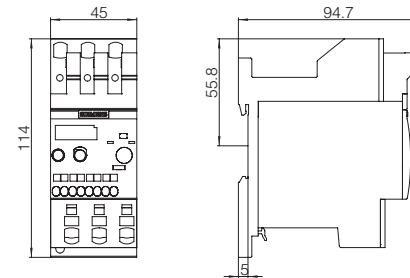
#### 3RU21 26 --C0

Size S0



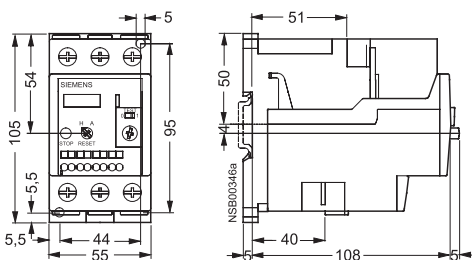
#### 3RU21 26 --C1

Size S0 with adapter for installation as a single unit



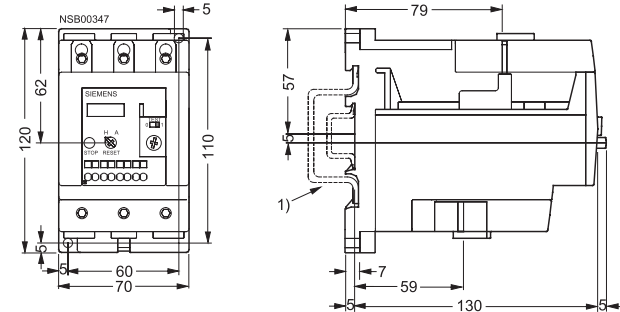
#### 3RU11 36 --.D.

Size S2



#### 3RU11 46 --.D.

Size S3



- 1) For mounting on 35 mm standard mounting rail (15 mm deep) acc. to EN 50 022 or 75 mm standard mounting rail acc. to EN 50 023

Dimension drawings "Contactor with built-on overload relay" see contactors and contactor combinations.