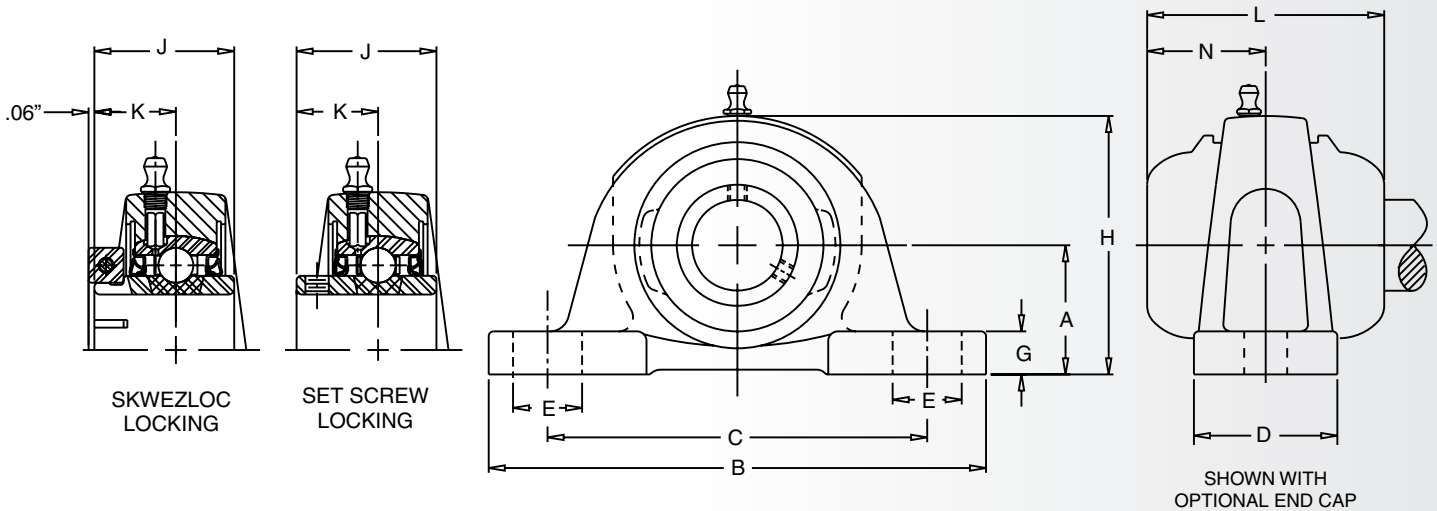




CRPS-PN, CRPS-PN T Series Pillow Blocks / Stainless Steel Housings

Set Screw Description	SKWEZLOC Description	Shaft Size	A	B	C Max.	C Min.	D	E	G
CRPS-PN12	CRPS-PN12T	3/4	1 5/16	5	4 1/8	3 3/8	1 1/2	3/4	1/2
CRPS-PN16	CRPS-PN16T	1	1 7/16	5 1/2	4 1/2	3 3/4	1 1/2	3/4	1/2
CRPS-PN19	CRPS-PN19T	1 3/16	1 11/16	6 1/2	5 1/16	4 7/16	1 7/8	13/16	9/16
CRPS-PN20R	CRPS-PN20RT	1 1/4	1 11/16	6 1/2	5 1/16	4 7/16	1 7/8	13/16	9/16
CRPS-PN20	CRPS-PN20T	1 1/4	1 7/8	6 9/16	5 5/16	4 11/16	1 7/8	13/16	5/8
CRPS-PN23	CRPS-PN23T	1 7/16	1 7/8	6 9/16	5 5/16	4 11/16	1 7/8	13/16	5/8
CRPS-PN24	CRPS-PN24T	1 1/2	1 15/16	7 1/4	5 7/8	4 7/8	2 1/8	1	11/16
CRPS-PN27	CRPS-PN27T	1 11/16	2 1/8	7 1/2	6 1/16	5 7/16	2 1/8	13/16	11/16
CRPS-PN31	CRPS-PN31T	1 15/16	2 1/4	8 1/8	6 1/2	6	2 3/8	7/8	3/4
CRPS-PN32	CRPS-PN32T	2	2 1/2	8 5/8	7	6 1/2	2 3/8	7/8	3/4
CRPS-PN35	CRPS-PN35T	2 3/16	2 1/2	8 5/8	7	6 1/2	2 3/8	7/8	3/4
CRPS-PN39	CRPS-PN39T	2 7/16	2 3/4	9 1/2	7 5/8	6 7/8	2 3/4	1	7/8

Mounted Ball Bearings



CRPS-PN, CRPS-PN T Series Pillow Blocks / Stainless Steel Housings

H	J	K	L	N	Bolt Size	Open Cap	Closed Cap	Backside Shield	Set Screw Description	SKWEZLOC Description
2 9/16	1 7/32	23/32	3 9/32	1 41/64	3/8	ECO-12	ECC-12	N/A	CRPS-PN12	CRPS-PN12T
2 13/16	1 3/8	13/16	3 15/32	1 47/64	3/8	ECO-16	ECC-16	N/A	CRPS-PN16	CRPS-PN16T
3 3/8	1 1/2	7/8	3 19/32	1 51/64	1/2	ECO-19	ECC-19	N/A	CRPS-PN19	CRPS-PN19T
3 3/8	1 1/2	7/8	3 19/32	1 51/64	1/2	ECO-20R	ECC-19	N/A	CRPS-PN20R	CRPS-PN20RT
3 3/4	1 11/16	1	3 27/32	1 59/64	1/2	ECO-20	ECC-23	N/A	CRPS-PN20	CRPS-PN20T
3 3/4	1 11/16	1	3 27/32	1 59/64	1/2	ECO-23	ECC-23	N/A	CRPS-PN23	CRPS-PN23T
3 15/16	1 15/16	1 3/16	4 7/32	2 7/64	1/2	ECO-24	ECC-24	N/A	CRPS-PN24	CRPS-PN24T
4 1/4	1 15/16	1 3/16	4 7/32	2 1/8	1/2	ECO-27	ECC-27	N/A	CRPS-PN27	CRPS-PN27T
4 9/16	2 1/32	1 9/32	4 13/32	2 13/64	5/8	ECO-31	ECC-31	N/A	CRPS-PN31	CRPS-PN31T
5	2 3/16	1 5/16	4 43/64	2 21/64	5/8	ECO-32	ECC-35	N/A	CRPS-PN32	CRPS-PN32T
5	2 3/16	1 5/16	4 43/64	2 21/64	5/8	ECO-35	ECC-35	N/A	CRPS-PN35	CRPS-PN35T
5 9/16	2 9/16	1 9/16	5 11/64	2 37/64	5/8	ECO-39	ECC-39	N/A	CRPS-PN39	CRPS-PN39T

BEARINGS

Corrosion Resistant Engineered Solutions

