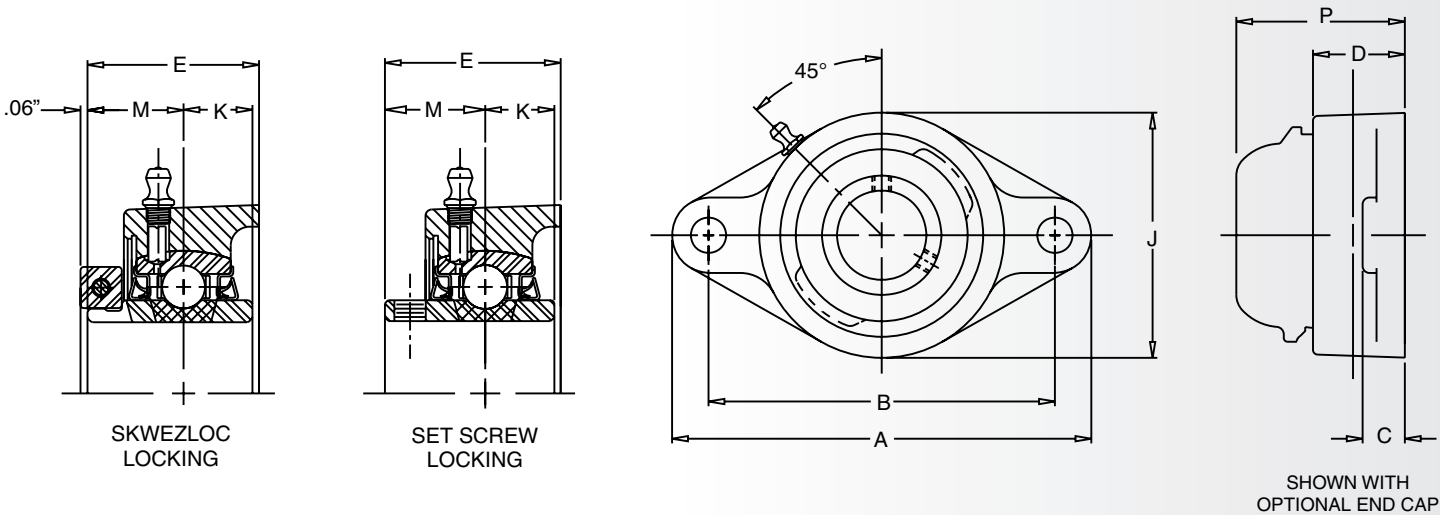




CRFTS-PN, CRFTS-PN T Series 2 Bolt Flange / Stainless Steel Housings

Set Screw Description	SKWEZLOC Description	Shaft Size	A	B	C	D	E	J
CRFTS-PN12	CRFTS-PN12T	3/4	4 13/32	3 17/32	7/16	31/32	1 9/32	2 1/2
CRFTS-PN16	CRFTS-PN16T	1	4 7/8	3 57/64	17/32	1 5/64	1 7/16	2 3/4
CRFTS-PN19	CRFTS-PN19T	1 3/16	5 9/16	4 19/32	17/32	1 7/32	1 9/16	3 1/4
CRFTS-PN20R	CRFTS-PN20RT	1 1/4	5 9/16	4 19/32	17/32	1 7/32	1 9/16	3 1/4
CRFTS-PN20	CRFTS-PN20T	1 1/4	6 1/8	5 1/8	9/16	1 11/32	1 3/4	3 3/4
CRFTS-PN23	CRFTS-PN23T	1 7/16	6 1/8	5 1/8	9/16	1 11/32	1 3/4	3 3/4
CRFTS-PN24	CRFTS-PN24T	1 1/2	6 3/4	5 21/32	9/16	1 1/2	2 1/64	4 1/8
CRFTS-PN27	CRFTS-PN27T	1 11/16	7 1/16	5 27/32	9/16	1 9/16	2 3/64	4 3/8
CRFTS-PN31	CRFTS-PN31T	1 15/16	7 7/16	6 3/16	9/16	1 9/16	2 5/32	4 9/16
CRFTS-PN32	CRFTS-PN32T	2	8 1/2	7 1/4	13/16	1 3/4	2 5/16	5 1/4
CRFTS-PN35	CRFTS-PN35T	2 3/16	8 1/2	7 1/4	13/16	1 3/4	2 5/16	5 1/4

Mounted Ball Bearings



CRFTS-PN, CRFTS-PN T Series 2 Bolt Flange / Stainless Steel Housing

K	M	P	Bolt Size	Open End Cap	Closed Cap	Backside Shield	Set Screw Description	SKWEZLOC Description
1/2	23/32	2 13/64	3/8	ECO-12	ECC-12	2BSS-12	CRFTS-PN12	CRFTS-PN12T
9/16	13/16	2 23/64	7/16	ECO-16	ECC-16	2BSS-16	CRFTS-PN16	CRFTS-PN16T
5/8	7/8	2 31/64	7/16	ECO-19	ECC-19	2BSS-19	CRFTS-PN19	CRFTS-PN19T
5/8	7/8	2 31/64	7/16	ECO-20R	ECC-19	2BSS-20R	CRFTS-PN20R	CRFTS-PN20RT
11/16	1	2 43/64	1/2	ECO-20	ECC-23	2BSS-20	CRFTS-PN20	CRFTS-PN20T
11/16	1	2 43/64	1/2	ECO-23	ECC-23	2BSS-23	CRFTS-PN23	CRFTS-PN23T
3/4	1 3/16	2 15/16	1/2	ECO-24	ECC-24	2BSS-24	CRFTS-PN24	CRFTS-PN24T
3/4	1 3/16	2 31/32	9/16	ECO-27	ECC-27	2BSS-27	CRFTS-PN27	CRFTS-PN27T
3/4	1 9/32	3 5/64	9/16	ECO-31	ECC-31	2BSS-31	CRFTS-PN31	CRFTS-PN31T
7/8	1 5/16	3 21/64	5/8	ECO-32	ECC-35	N/A	CRFTS-PN32	CRFTS-PN32T
7/8	1 5/16	3 21/64	5/8	ECO-35	ECC-35	2BSS-35	CRFTS-PN35	CRFTS-PN35T

BEARINGS

Corrosion Resistant Engineered Solutions

