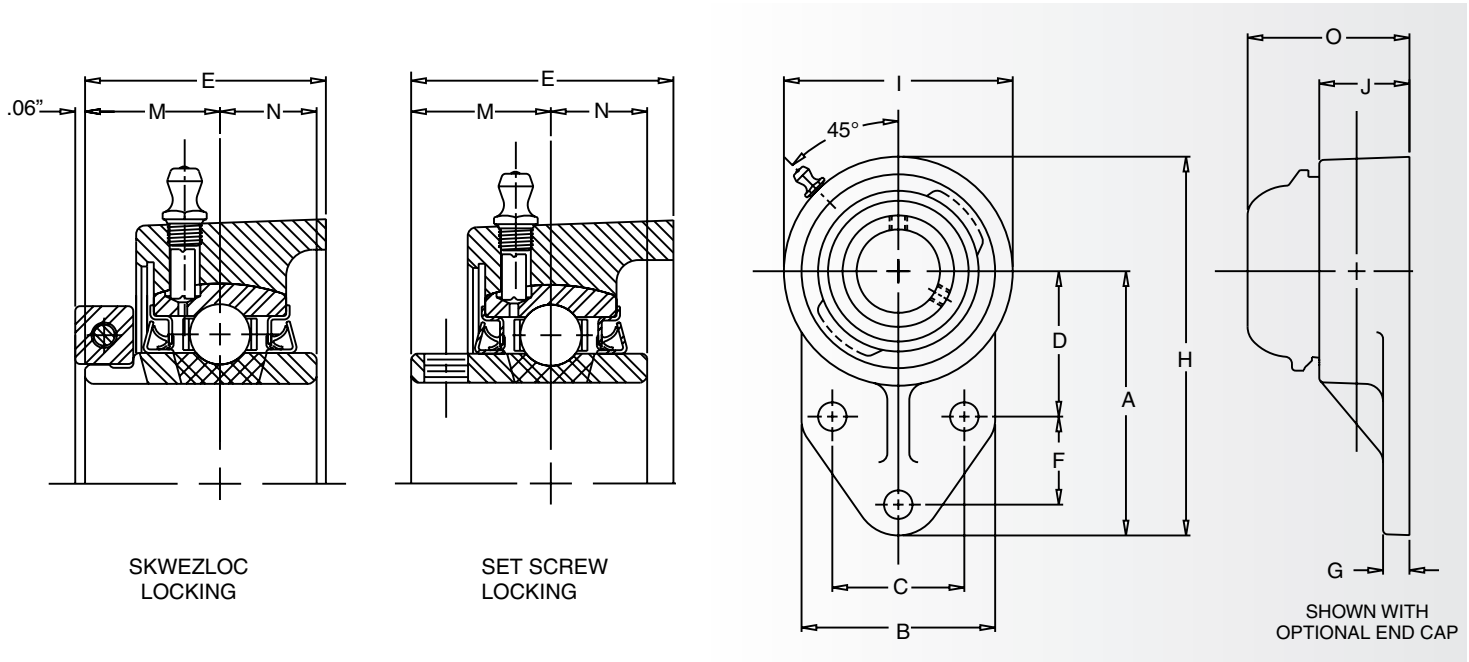


CRFBS-PN, CRFBS-PN T Series Flange Bracket / Stainless Steel Housings

Set Screw Description	SKWEZLOC Description	Shaft Size	A	B	C	D	E	F	G	H
CRFBS-PN12	CRFBS-PN12T	3/4	3	2 3/8	1 1/2	1 11/16	1 11/32	7/8	5/16	4 1/4
CRFBS-PN16	CRFBS-PN16T	1	3 3/8	2 1/2	1 5/8	1 13/16	1 1/2	1 1/8	3/8	4 3/4
CRFBS-PN19	CRFBS-PN19T	1 3/16	3 3/4	2 3/4	1 7/8	2 1/16	1 5/8	1 1/4	3/8	5 3/8
CRFBS-PN20R	CRFBS-PN20RT	1 1/4	3 3/4	2 3/4	1 7/8	2 1/16	1 5/8	1 1/4	3/8	5 3/8
CRFBS-PN20	CRFBS-PN20T	1 1/4	4 1/4	3 1/4	2	2 3/8	1 7/8	1 1/4	1/2	6 1/8
CRFBS-PN23	CRFBS-PN23T	1 7/16	4 1/4	3 1/4	2	2 3/8	1 7/8	1 1/4	1/2	6 1/8

Mounted Ball Bearings



CRFBS-PN, CRFBS-PN T Series Flange Bracket / Stainless Steel Housings

I	J	M	N	O	Bolt Size	Open Cap	Closed Cap	Backside Shield	Set Screw Description	SKWEZLOC Description
2 1/2	1 1/32	23/32	1/2	2 17/64	3/8	ECO-12	ECC-12	N/A	CRFBS-PN12	CRFBS-PN12T
2 3/4	1 9/64	13/16	9/16	2 13/32	3/8	ECO-16	ECC-16	N/A	CRFBS-PN16	CRFBS-PN16T
3 1/4	1 9/32	7/8	5/8	2 35/64	3/8	ECO-19	ECC-19	N/A	CRFBS-PN19	CRFBS-PN19T
3 1/4	1 9/32	7/8	5/8	2 35/64	3/8	ECO-20R	ECC-19	N/A	CRFBS-PN20R	CRFBS-PN20RT
3 3/4	1 15/32	1	11/16	2 51/64	1/2	ECO-20	ECC-23	N/A	CRFBS-PN20	CRFBS-PN20T
3 3/4	1 15/32	1	11/16	2 51/64	1/2	ECO-23	ECC-23	N/A	CRFBS-PN23	CRFBS-PN23T

BEARINGS

Corrosion Resistant Engineered Solutions

