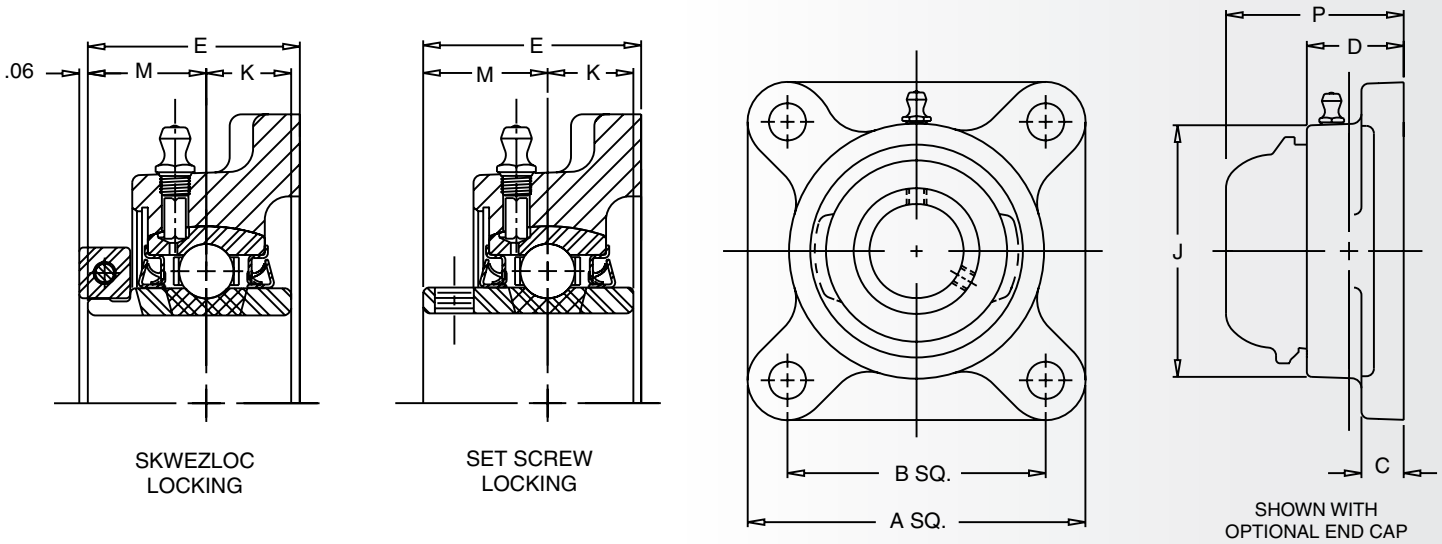


CRFS-PN, CRFS-PN T Series 4 Bolt Flange Bracket / Stainless Steel Housings

Set Screw Description	SKWEZLOC Description	Shaft Size	A	B	C	D	E	J
CRFS-PN12	CRFS-PN12T	3/4	3 3/8	2 1/2	7/16	31/32	1 9/32	2 1/2
CRFS-PN16	CRFS-PN16T	1	3 3/4	2 3/4	17/32	1 5/64	1 7/16	2 45/64
CRFS-PN19	CRFS-PN19T	1 3/16	4 1/4	3 1/4	17/32	1 7/32	1 9/16	3 13/64
CRFS-PN20R	CRFS-PN20RT	1 1/4	4 1/4	3 1/4	17/32	1 7/32	1 9/16	3 13/64
CRFS-PN20	CRFS-PN20T	1 1/4	4 5/8	3 5/8	9/16	1 11/32	1 3/4	3 3/4
CRFS-PN23	CRFS-PN23T	1 7/16	4 5/8	3 5/8	9/16	1 11/32	1 3/4	3 3/4
CRFS-PN24	CRFS-PN24T	1 1/2	5 1/8	4	9/16	1 1/2	2 1/64	4 5/64
CRFS-PN27	CRFS-PN27T	1 11/16	5 3/8	4 1/8	9/16	1 9/16	2 3/64	4 21/64
CRFS-PN31	CRFS-PN31T	1 15/16	5 5/8	4 3/8	9/16	1 9/16	2 5/32	4 35/64
CRFS-PN32	CRFS-PN32T	2	6 3/8	5 1/8	13/16	1 3/4	2 5/16	5 3/16
CRFS-PN35	CRFS-PN35T	2 3/16	6 3/8	5 1/8	13/16	1 3/4	2 5/16	5 3/16
CRFS-PN39	CRFS-PN39T	2 7/16	6 7/8	5 5/8	13/16	1 15/16	2 25/32	5 7/16

Mounted Ball Bearings



CRFS-PN, CRFS-PN T Series 4 Bolt Flange Bracket / Stainless Steel Housings

K	M	P	Bolt Size	Open Cap	Closed Cap	Backside Shield	Set Screw Description	SKWEZLOC Description
1/2	23/32	2 13/64	3/8	ECO-12	ECC-12	4BSS-12	CRFS-PN12	CRFS-PN12T
9/16	13/16	2 23/64	7/16	ECO-16	ECC-16	4BSS-16	CRFS-PN16	CRFS-PN16T
5/8	7/8	2 31/64	7/16	ECO-19	ECC-19	4BSS-19	CRFS-PN19	CRFS-PN19T
5/8	7/8	2 31/64	7/16	ECO-20R	ECC-19	4BSS-20R	CRFS-PN20R	CRFS-PN20RT
11/16	1	2 43/64	1/2	ECO-20	ECC-23	4BSS-20	CRFS-PN20	CRFS-PN20T
11/16	1	2 43/64	1/2	ECO-23	ECC-23	4BSS-23	CRFS-PN23	CRFS-PN23T
3/4	1 3/16	2 15/16	1/2	ECO-24	ECC-24	4BSS-24	CRFS-PN24	CRFS-PN24T
3/4	1 3/16	2 31/32	9/16	ECO-27	ECC-27	4BSS-27	CRFS-PN27	CRFS-PN27T
3/4	1 9/32	3 5/64	9/16	ECO-31	ECC-31	4BSS-31	CRFS-PN31	CRFS-PN31T
7/8	1 5/16	3 21/64	5/8	ECO-32	ECC-35	4BSS-32	CRFS-PN32	CRFS-PN32T
7/8	1 5/16	3 21/64	5/8	ECO-35	ECC-35	4BSS-35	CRFS-PN35	CRFS-PN35T
1	1 9/16	3 45/64	5/8	ECO-39	ECC-39	4BSS-39	CRFS-PN39	CRFS-PN39T

BEARINGS

Corrosion Resistant Engineered Solutions

