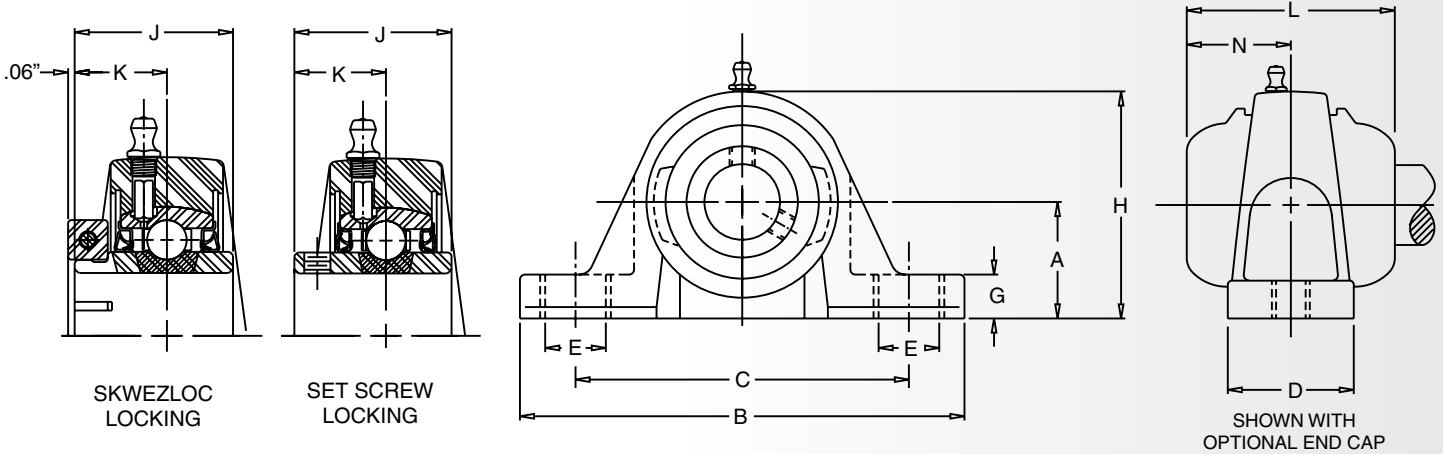




CRPC-PN, CRPC-PN T Series Pillow Blocks / Composite Housings

Set Screw Description	SKWEZLOC Description	Shaft Size	A	B	C MAX.	C MIN.	D	E	G	H
CRPC-PN12	CRPC-PN12T	3/4	1 5/16	5	4 1/8	3 3/8	1 1/2	3/4	9/16	2 35/64
CRPC-PN16	CRPC-PN16T	1	1 7/16	5 1/2	4 1/2	3 3/4	1 1/2	3/4	9/16	2 13/16
CRPC-PN19	CRPC-PN19T	1 3/16	1 11/16	6 1/2	5 1/16	4 7/16	1 7/8	13/16	11/16	3 21/64
CRPC-PN20R	CRPC-PN20RT	1 1/4	1 11/16	6 1/2	5 1/16	4 7/16	1 7/8	13/16	11/16	3 21/64
CRPC-PN20	CRPC-PN20T	1 1/4	1 7/8	6 9/16	5 5/16	4 11/16	1 7/8	13/16	11/16	3 3/4
CRPC-PN23	CRPC-PN23T	1 7/16	1 7/8	6 9/16	5 5/16	4 11/16	1 7/8	13/16	11/16	3 3/4
CRPC-PN24	CRPC-PN24T	1 1/2	1 15/16	7 1/4	5 11/16	5 1/16	2 1/8	13/16	11/16	4 1/64

Mounted Ball Bearings



CRPC-PN, CRPC-PN T Series Pillow Blocks / Composite Housings

J	K	L	N	Bolt Size	Open Cap	Closed Cap	Backside Shield	Set Screw Description	SKWEZLOC Description
1 7/32	23/32	3 9/32	1 41/64	3/8	ECO-12	ECC-12	N/A	CRPC-PN12	CRPC-PN12T
1 3/8	13/16	3 15/32	1 47/64	3/8	ECO-16	ECC-16	N/A	CRPC-PN16	CRPC-PN16T
1 1/2	7/8	3 19/32	1 51/64	1/2	ECO-19	ECC-19	N/A	CRPC-PN19	CRPC-PN19T
1 1/2	7/8	3 19/32	1 51/64	1/2	ECO-20R	ECC-19	N/A	CRPC-PN20R	CRPC-PN20RT
1 11/16	1	3 27/32	1 59/64	1/2	ECO-20	ECC-23	N/A	CRPC-PN20	CRPC-PN20T
1 11/16	1	3 27/32	1 59/64	1/2	ECO-23	ECC-23	N/A	CRPC-PN23	CRPC-PN23T
1 15/16	1 3/16	4 7/32	2 7/64	1/2	ECO-24	ECC-24	N/A	CRPC-PN24	CRPC-PN24T

BEARINGS

Corrosion Resistant Engineered Solutions

