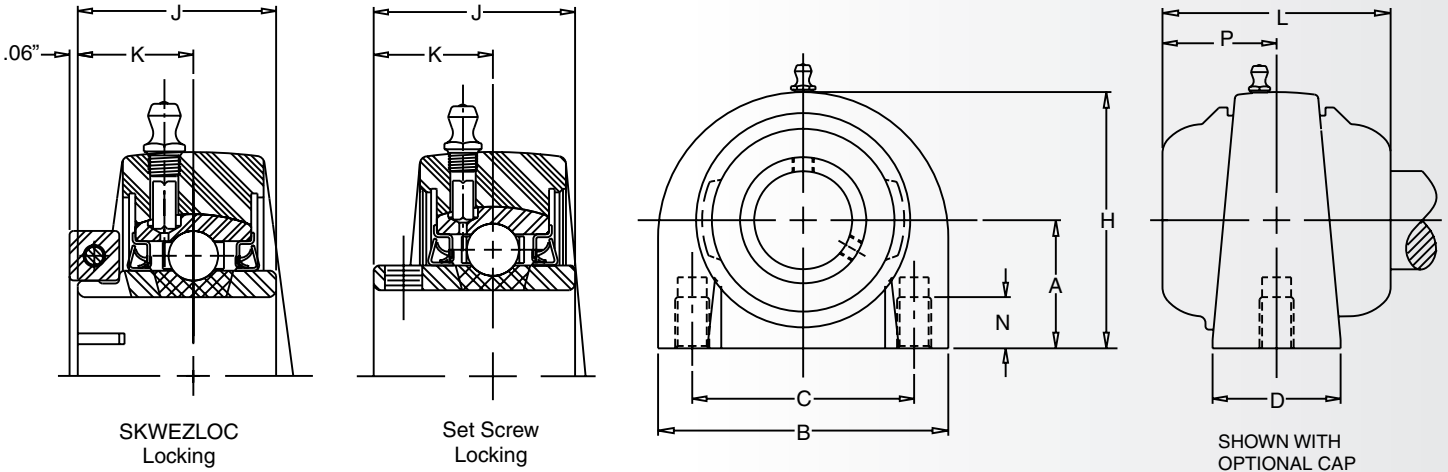


CRTBC-PN, CRTBC-PN T Series Tapped Base / Composite Housings

Set Screw Description	SKWEZLOC Description	Shaft Size	A	B	C	D	H	J	K
CRTBC-PN12	CRTBC-PN12T	3/4	1 5/16	3 1/8	2	1 1/2	2 9/16	1 7/32	23/32
CRTBC-PN16	CRTBC-PN16T	1	1 7/16	3	2	1 1/2	2 13/16	1 3/8	13/16
CRTBC-PN19	CRTBC-PN19T	1 3/16	1 11/16	4	3	1 1/2	3 3/8	1 1/2	7/8
CRTBC-PN20R	CRTBC-PN20RT	1 1/4	1 11/16	4	3	1 1/2	3 3/8	1 1/2	7/8
CRTBC-PN20	CRTBC-PN20T	1 1/4	1 7/8	4 1/4	3 1/4	1 7/8	3 3/4	1 11/16	1
CRTBC-PN23	CRTBC-PN23T	1 7/16	1 7/8	4 1/4	3 1/4	1 7/8	3 3/4	1 11/16	1
CRTBC-PN24	CRTBC-PN24T	1 1/2	1 15/16	4 5/8	3 1/2	1 7/8	3 15/16	1 15/16	1 3/16

Mounted Ball Bearings



CRTBC-PN, CRTBC-PN T Series Tapped Base / Composite Housings

L	N	P	Bolt Size	Open Cap	Closed Cap	Backside Shield	Set Screw Description	SKWEZLOC Description
3 9/32	1/2	1 41/64	3/8-16	ECO-12	ECC-12	N/A	CRTBC-PN12	CRTBC-PN12T
3 15/32	1/2	1 47/64	3/8-16	ECO-16	ECC-16	N/A	CRTBC-PN16	CRTBC-PN16T
3 19/32	5/8	1 51/64	7/16-14	ECO-19	ECC-19	N/A	CRTBC-PN19	CRTBC-PN19T
3 19/32	5/8	1 51/64	7/16-14	ECO-20R	ECC-19	N/A	CRTBC-PN20R	CRTBC-PN20RT
3 27/32	3/4	1 59/64	1/2-13	ECO-20	ECC-23	N/A	CRTBC-PN20	CRTBC-PN20T
3 27/32	3/4	1 59/64	1/2-13	ECO-23	ECC-23	N/A	CRTBC-PN23	CRTBC-PN23T
4 7/32	3/4	2 7/64	1/2-13	ECO-24	ECC-24	N/A	CRTBC-PN24	CRTBC-PN24T

BEARINGS

Corrosion Resistant Engineered Solutions

