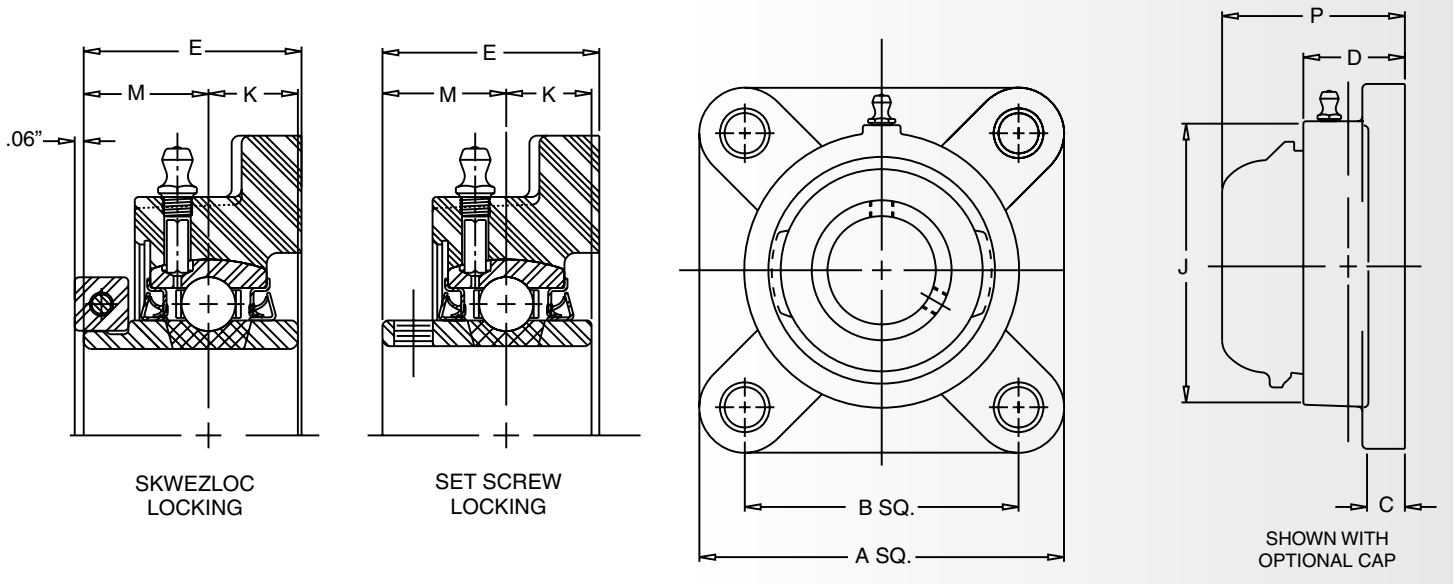




CRFC-PN, CRFC-PN T Series 4 Bolt Flange / Composite Housings

Set Screw Description	SKWEZLOC Description	Shaft Size	A	B	C	D	E	J
CRFC-PN12	CRFC-PN12T	3/4	3 7/16	2 1/2	7/16	61/64	1 9/32	2 3/8
CRFC-PN16	CRFC-PN16T	1	3 51/64	2 3/4	17/32	1 5/64	1 7/16	2 21/32
CRFC-PN19	CRFC-PN19T	1 3/16	4 11/32	3 1/4	17/32	1 13/64	1 9/16	3 3/16
CRFC-PN20R	CRFC-PN20RT	1 1/4	4 11/32	3 1/4	17/32	1 13/64	1 9/16	3 3/16
CRFC-PN20	CRFC-PN20T	1 1/4	4 53/64	3 5/8	9/16	1 11/32	1 3/4	3 21/32
CRFC-PN23	CRFC-PN23T	1 7/16	4 53/64	3 5/8	9/16	1 11/32	1 3/4	3 21/32
CRFC-PN24	CRFC-PN24T	1 1/2	5 1/4	4	9/16	1 1/2	2 1/64	4 1/64

Mounted Ball Bearings



CRFC-PN, CRFC-PN T Series 4 Bolt Flange / Composite Housings

K	M	P	Bolt Size	Open Cap	Closed Cap	Backside Shield	Set Screw Description	SKWEZLOC Description
1/2	23/32	2 13/64	3/8	ECO-12	ECC-12	4BSS-12	CRFC-PN12	CRFC-PN12T
9/16	13/16	2 23/64	7/16	ECO-16	ECC-16	4BSS-16	CRFC-PN16	CRFC-PN16T
5/8	7/8	2 15/32	7/16	ECO-19	ECC-19	4BSS-19	CRFC-PN19	CRFC-PN19T
5/8	7/8	2 15/32	7/16	ECO-20R	ECC-19	4BSS-20R	CRFC-PN20R	CRFC-PN20RT
11/16	1	2 43/64	1/2	ECO-20	ECC-23	4BSS-20	CRFC-PN20	CRFC-PN20T
11/16	1	2 43/64	1/2	ECO-23	ECC-23	4BSS-23	CRFC-PN23	CRFC-PN23T
3/4	1 3/16	2 15/16	1/2	ECO-24	ECC-24	4BSS-24	CRFC-PN24	CRFC-PN24T

BEARINGS

Corrosion Resistant Engineered Solutions

