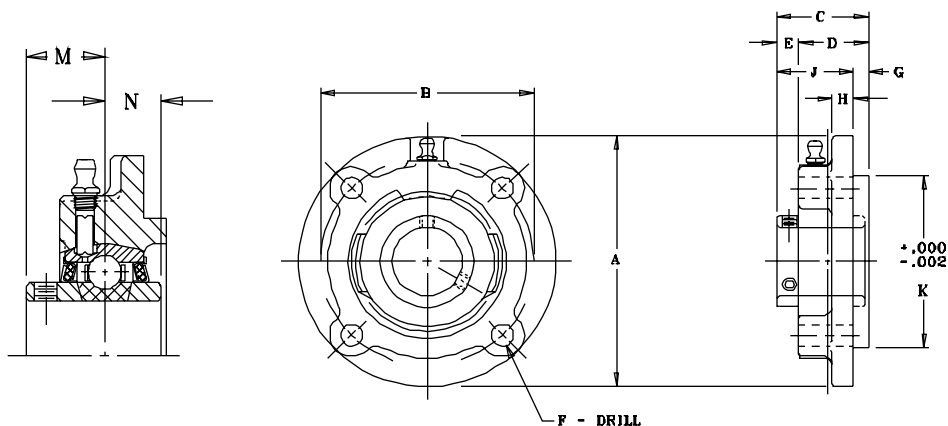




MOUNTED BALL BEARINGS

**SEALMASTER®**



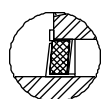
## MFC Series Medium Duty Flange Cartridge Units...Setscrew Locking

SHAFT DIAM.	PART NO.	BRG. NO.	Dimensions In Inches												UNIT WT.
			A	B	C	D	E	F	G	H	J	K	M	N	
15/16 1	MFC-15 MFC-16 MFC-305	3-015 3-1 5305	4 3/8	3 5/8	1 9/16	1 3/16	3/8	3/8	1/4	3/8	1 5/16	3.000	7/8	5/8	3.0
1 3/16 1 1/4	MFC-19 MFC-20 MFC-306	3-13 2-14 5306	5	4 1/8	1 11/16	1 1/4	7/16	7/16	3/8	3/8	1 5/16	3.375	1	11/16	3.9
1 7/16 1 1/2	MFC-23 MFC-24 MFC-307	3-17 2-18 5307	5 1/4	4 3/8	1 15/16	1 15/32	15/32	7/16	7/16	7/16	1 1/2	3.625	1 3/16	3/4	4.7
1 1/2 40	MFC-24H MFC-308	3-18 5308	6 1/8	5 1/8	1 15/16	1 7/16	1/2	1/2	7/16	7/16	1 1/2	4.250	1 3/16	3/4	6.0
1 11/16 1 3/4	MFC-27 MFC-28 MFC-309	3-111 3-112 5309	6 1/8	5 1/8	2 1/32	1 15/32	9/16	1/2	15/32	7/16	1 9/16	4.250	1 9/32	3/4	6.5
1 15/16 2	MFC-31 MFC-32 MFC-310	3-115 2-2 5310	6 3/8	5 3/8	2 3/16	1 5/8	9/16	1/2	5/8	7/16	1 9/16	4.500	1 5/16	7/8	7.5
2 3/16 2 1/4	MFC-35 MFC-36 MFC-311	3-23 2-24 5311	7 1/8	6	2 9/16	1 7/8	11/16	9/16	7/8	1/2	1 11/16	5.000	1 9/16	1	10.5
2 7/16 2 1/2	MFC-39 MFC-40 MFC-313	3-27 3-28 5313	7 5/8	6 1/2	2 7/8	2 3/16	11/16	9/16	1 1/8	9/16	1 3/4	5.500	1 11/16	1 1/16	14.0
2 11/16 70	MFC-43 MFC-314	3-211 5314	8 3/4	7 1/2	3 1/16	2 5/16	3/4	11/16	1 1/16	9/16	2	6.375	1 3/4	1 5/16	18.7
2 15/16 3	MFC-47 MFC-48 MFC-315	3-215 3-3 5315	8 3/4	7 1/2	3 1/4	2 7/16	13/16	11/16	1 1/4	5/8	2	6.375	1 15/16	1 5/16	20.0
3 7/16 3 1/2	MFC-55 MFC-56	3-37 2-38	10 1/4	8 5/8	3 25/32	2 3/4	1 1/32	13/16	1 1/8	3/4	2 21/32	7.375	2-7/32	1 9/16	32.0
3 15/16 4	MFC-63 MFC-64 MFC-320	3-315 3-4 5320	10 7/8	9 3/8	4 5/8	3 1/4	1 3/8	13/16	1 1/8	7/8	3 1/2	*8.125	2 11/16	1 15/16	44.0

For Load Ratings, see page 62.

For Medium Duty Bearing Inserts-Single Lock, see page 60.

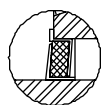
\* +.000" -.004"



**Felt Seal Standard**  
Positive sealing for low, medium, and high speed operation.



**Single Lip Contact Seal**  
Available on all sizes. Recommended where moisture conditions prevail. To specify, add suffix "C" (MFC-32C).



**Hi-Temp Seal**  
Available as an option where operating temperatures are in 250-400° range. (See seal options on page 188).