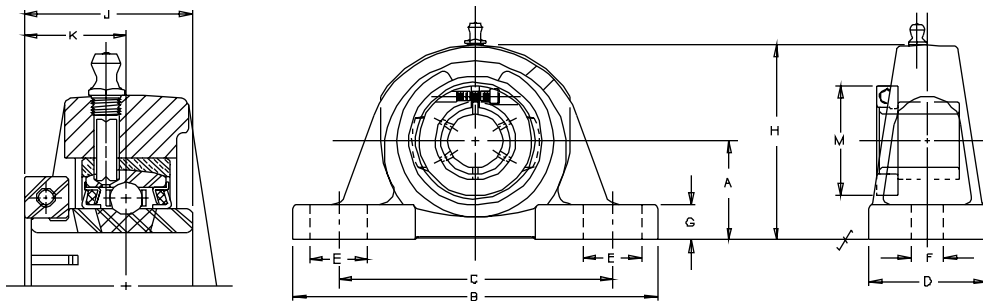


MP-T Series Medium Duty Pillow Blocks...Skwezloc Locking

SHAFT DIAM. IN	PART NO.	BRG. NO.	Dimensions in Inches												BOLT SIZE IN.	UNIT WT.
			A	B	C		D	E	F	G	H	J	K	M		
					MIN.	MAX.										
1	MP-16T	3-1T	1 3/4	6 1/4	4 3/16	5 3/16	2	1	9/16	5/8	3 7/16	1 9/16	15/16	2 1/16	1/2	4.2
1 3/16 1 1/4	MP-19T MP-20T	3-13T 2-14T	1 7/8	6 7/8	4 1/2	5 1/2	2 1/4	1	9/16	11/16	3 13/16	1 3/4	1 1/16	2 7/16	1/2	5.7
1 7/16	MP-23T	3-17T	2 1/8	8	5	6 3/8	2 1/4	1 3/16	9/16	3/4	4 3/16	2	1 1/4	2 11/16	1/2	7.1
1 1/2	MP-24T	3-18T	2 5/16	8 3/4	5 1/2	6 3/4	2 5/8	1 1/4	11/16	13/16	4 9/16	2	1 1/4	2 13/16	5/8	9.3
1 11/16 1 3/4	MP-27T MP-28T	3-111T 3-112T	2 5/16	8 3/4	5 7/16	6 13/16	2 5/8	1 5/16	11/16	13/16	4 5/8	2 3/32	1 11/32	3 1/4	5/8	10.1
1 15/16 2	MP-31T MP-32T	3-115T 2-2T	2 1/2	9 1/2	5 15/16	7 9/16	2 7/8	1 7/16	11/16	7/8	5 3/32	2 1/4	1 3/8	3 1/2	5/8	12.3
2 3/16 2 1/4	MP-35T MP-36T	3-23T 2-24T	2 3/4	10 1/4	6 9/16	7 15/16	3 1/8	1 7/16	13/16	1 1/16	5 5/8	2 5/8	1 5/8	4 1/16	3/4	17.4



EMP-T Series Expansion Type Pillow Blocks...Skwezloc Locking

SHAFT DIAM. IN	PART NO.	BRG. NO.	Dimensions in Inches												LIMIT OF EXPAN.	BOLT SIZE IN.	UNIT WT.
			A	B	C		D	E	F	G	H	J	K	M			
					MIN.	MAX.											
15/16 1	EMP-15T EMP-16T	AR-2-015T AR-2-1T	1 3/4	6 1/4	4 3/16	5 3/16	2	1	9/16	5/8	3 7/16	1 7/16	7/8	1 15/16	1/8	1/2	3.9
1 3/16	EMP-19T	AR-2-13T	1 7/8	6 7/8	4 1/2	5 1/2	2 1/4	1	9/16	11/16	3 13/16	1 9/16	15/16	2 3/16	1/8	1/2	5.7
1 7/16	EMP-23T	AR-2-17T	2 1/8	8	5	6 3/8	2 1/4	1 3/16	9/16	3/4	4 3/16	1 3/4	1 1/16	2 9/16	1/8	1/2	7.1
1 1/2	EMP-24T	AR-2-18T	2 5/16	8 3/4	5 1/2	6 3/4	2 5/8	1 1/4	11/16	13/16	4 9/16	2	1 1/4	2 11/16	1/8	5/8	9.3
1 11/16	EMP-27T	AR-2-111T	2 5/16	8 3/4	5 7/16	6 13/16	2 5/8	1 5/16	11/16	13/16	4 5/8	2	1 1/4	2 15/16	1/8	5/8	9.5
1 15/16	EMP-31T	AR-2-115T	2 1/2	9 1/2	5 15/16	7 9/16	2 7/8	1 7/16	11/16	7/8	5 3/32	2 3/32	1 11/32	3 3/8	3/16	5/8	12.2
2 3/16	EMP-35T	AR-2-23T	2 3/4	10 1/4	6 9/16	7 15/16	3 1/8	1 7/16	13/16	1 1/16	5 5/8	2 1/4	1 3/8	3 5/8	3/16	3/4	16.2
2 7/16	EMP-39T	AR-2-27T	3	11 1/4	7 1/8	8 7/8	3 1/4	1 5/8	13/16	1 1/16	6 1/4	2 5/8	1 5/8	4 1/8	3/16	3/4	21.2

For Load Ratings, see page 84.

For Medium Duty SKWEZLOC Bearing Inserts, see page 83. See page 70 for seal arrangements. For custom seals, see page 188.