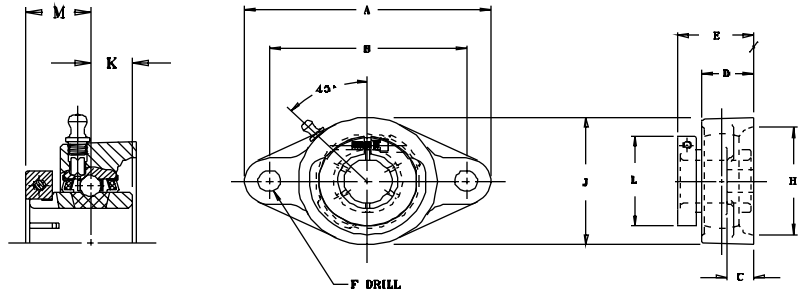




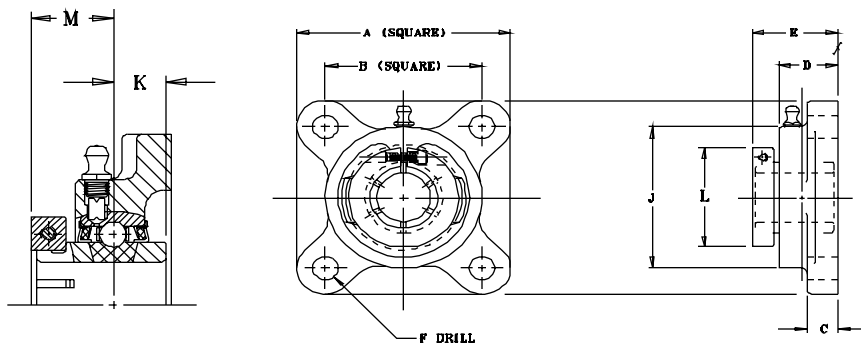
MOUNTED BALL BEARINGS

**SEALMASTER®**



## MSFT-T Series Medium Duty Two-Bolt Flange Units...Skwezloc Locking

SHAFT DIAM. IN	PART NO.	BRG. NO.	Dimensions in Inches											UNIT WT.
			A	B	C	D	E	F	H CORED	J	K	L	M	
1	MSFT-16T	3-1T	5 9/16	4 19/32	17/32	1 11/64	1 5/8	15/32	2 7/8	3 1/4	5/8	2 1/16	15/16	2.6
1 3/16 1 1/4	MSFT-19T MSFT-20T	3-13T 2-14T	6 1/8	5 1/8	9/16	1 11/32	1 13/16	17/32	3 5/16	3 3/4	11/16	2 7/16	1 1/16	3.7
1 7/16	MSFT-23T	3-17T	6 3/4	5 21/32	9/16	1 1/2	2 5/64	17/32	3 1/2	4 1/8	3/4	2 11/16	1 1/4	4.9
1 1/2	MSFT-24T	3-18T	7 1/16	5 27/32	9/16	1 9/16	2 7/64	19/32	3 7/8	4 3/8	3/4	2 13/16	1 1/4	5.5
1 11/16 1 3/4	MSFT-27T MSFT-28T	3-111T 3-112T	7 7/16	6 3/16	9/16	1 9/16	2 7/32	19/32	4	4 9/16	3/4	3 1/4	1 11/32	6.2
1 15/16 2	MSFT-31T MSFT-32T	3-115T 2-2T	8 1/2	7 1/4	13/16	1 3/4	2 3/8	21/32	4 1/4	5 1/4	7/8	3 1/2	1 3/8	9.2



## MSF-T Series Medium Duty Four-Bolt Flange Units...Skwezloc Locking

SHAFT DIAM. IN	PART NO.	BRG. NO.	Dimensions in Inches											UNIT WT.
			A	B	C	D	E	F	J	K	L	M		
1	MSF-16T	3-1T	4 1/4	3 1/4	17/32	1 11/64	1 5/8	15/32	3 7/32	5/8	2 1/16	15/16	3.8	
1 3/16 1 1/4	MSF-19T MSF-20T	3-13T 2-14T	4 5/8	3 5/8	9/16	1 11/32	1 13/16	17/32	3 23/32	11/16	2 7/16	1 1/16	4.4	
1 7/16	MSF-23T	3-17T	5 1/8	4	9/16	1 1/2	2 5/64	17/32	4 5/64	3/4	2 11/16	1 1/4	5.8	
1 1/2	MSF-24T	3-18T	5 3/8	4 1/8	9/16	1 9/16	2 7/64	19/32	4 21/64	3/4	2 13/16	1 1/4	6.3	
1 11/16 1 3/4	MSF-27T MSF-28T	3-111T 3-112T	5 5/8	4 3/8	9/16	1 9/16	2 7/32	19/32	4 9/16	3/4	3 1/4	1 11/32	7.4	
1 15/16 2	MSF-31T MSF-32T	3-115T 2-2T	6 3/8	5 1/8	13/16	1 3/4	2 3/8	21/32	5 1/4	7/8	3 1/2	1 3/8	11.1	
2 3/16 2 1/4	MSF-35T MSF-36T	3-23T 2-24T	6 7/8	5 5/8	13/16	1 15/16	2 3/4	21/32	5 7/16	1	4 1/16	1 5/8	13.3	